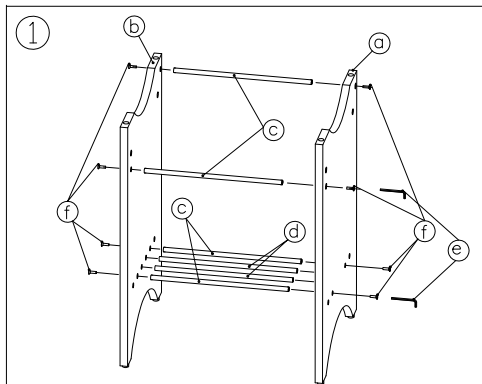


INSTALLATION GUIDE

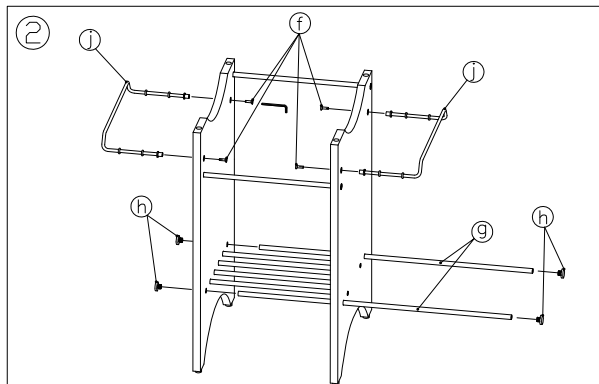
BASIN TABLE

枱面組安裝說明



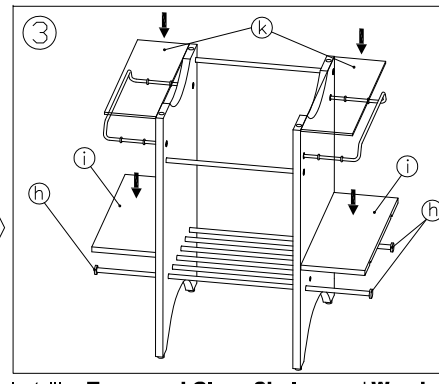
Assembling main parts with attached **Hexagon Key** as shown in figure ①.

用六角板手安裝主要的零件, 如圖①。



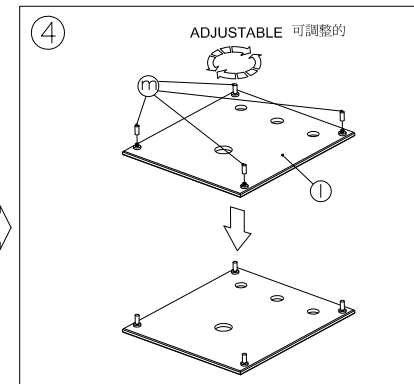
Assembling **Glass Shelf Rails** and **77cm-Length Tubs** as shown in figure ②.

安裝玻璃平台支架和77公分長銅管, 如圖②。



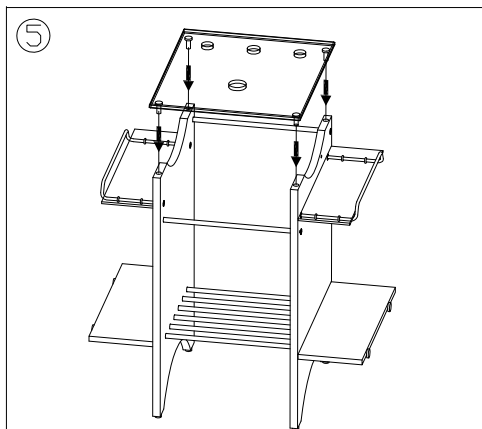
Installing **Tempered Glass Shelves** and **Wooden Shelves** on appropriate positions as shown in figure ③. Adjust and tighten **End Caps** for fit and fix **Wooden Shelves**.

在適當的位置安裝玻璃平台和支架側板, 如圖③。調整銅管把手蓋使支架側板固定。



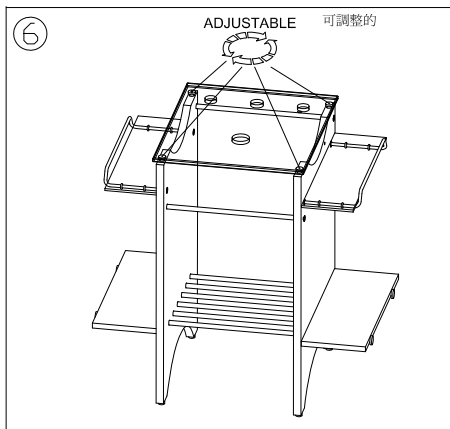
Screwing **Adjusting Holders** on **Tempered Table Glass** ④.

在玻璃檯面上鎖上四個可調整支撐架。



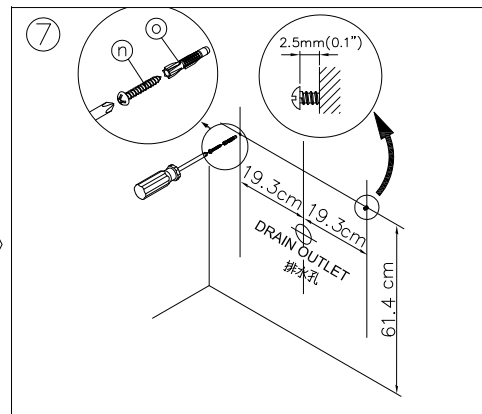
Install **Tempered Table Glass** as shown in figure ⑤, placing four **Adjusting Holders** into holes for fix it.

安裝玻璃檯面, 如圖⑤。將4個可調整支撐架固定於適當位置。



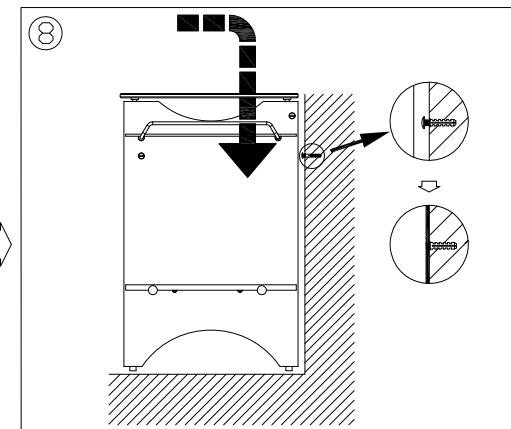
Level **Tempered Table Glass** by twisting **Adjusting Holders** ⑥.

旋轉在玻璃檯面的可調整支撐架, 並調整桌面水平, 即完成檯面組裝。



Mark two vertical lines both sides 19.3cm (0.76") from the center of drain outlet, and meantime, using assembled table-keyholes as template or mark and drill two fixing holes for **Stainless Steel Wall Screws** as shown in figure ⑦.

用鉛筆在距離牆上排水孔左右各19.3公分處, 並在高度61.4公分處畫上2個釘螺絲的記號。在畫上記號前, 必須注意牆角及地面是否平整且與牆面垂直, 並再次確認記號間與地面的距離。填入塑膠塞並使之齊平於牆面, 不要將不銹鋼螺絲全部鎖緊, 調整到如圖面所示的適當位置, 螺絲頭與牆面須留2.5mm的距離。



Insert two **Stainless Steel Wall Screw** heads into keyholes on the back of **L & R Side Boards** and press downward. Be sure the basin table is flush and tighten to wall. ⑧

將左右側腳板後方的孔填入二處的螺絲頭並向下按壓, 確認腳板是否完全卡緊, 並使之齊平牆面。

FIXING CONTENTS

組配件內容

<p>Ⓐ Wooden side-Board(R) X1 右側腳板</p>	<p>Ⓒ 39cm-Length tub W/Internal Thread X4 銅管 39公分長(內牙)</p>	<p>Ⓔ Hexagon Key X1 六角板手</p>	<p>Ⓖ 77cm-Length Tub X2 長銅管 77公分長</p>	<p>Ⓘ Wooden Shelf X2 支架側板</p>	<p>Ⓚ Tempered Glass Shelf X2 玻璃平台</p>	<p>Ⓜ Adjusting Holder X4 可調整支撐架</p>	<p>Ⓝ Plastic Anchor X2 塑膠塞</p>
<p>Ⓑ Wooden side-Board(L) X1 左側腳板</p>	<p>Ⓓ 39cm-Length Tub X2 銅管 39公分長</p>	<p>Ⓕ Hexalobular Socket Flat Head Screw X12 內六角壁狀螺絲</p>	<p>Ⓗ End Cap X4 銅管把手蓋</p>	<p>Ⓛ Glass Shelf Rail X2 玻璃平台支架</p>	<p>Ⓛ Tempered Table Glass X1 玻璃檯面</p>	<p>Ⓝ Stainless Steel Wall Screw X2 不銹鋼螺絲</p>	