

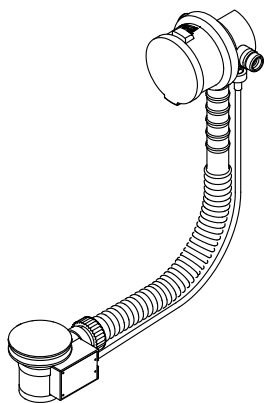
## INSTALLATION INSTRUCTIONS

### Still One Bath Mixer W/Pop-Up Waste & Overflow

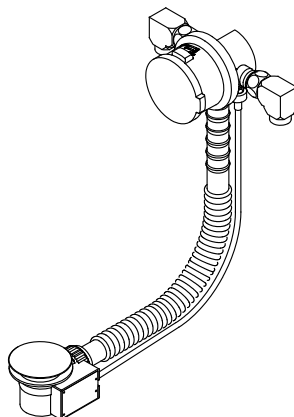
多功能冷熱進出水控制組安裝說明

#### Applicable Product Number:

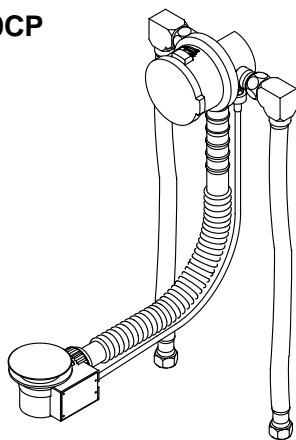
適用產品型號:



6234-K0-80CP



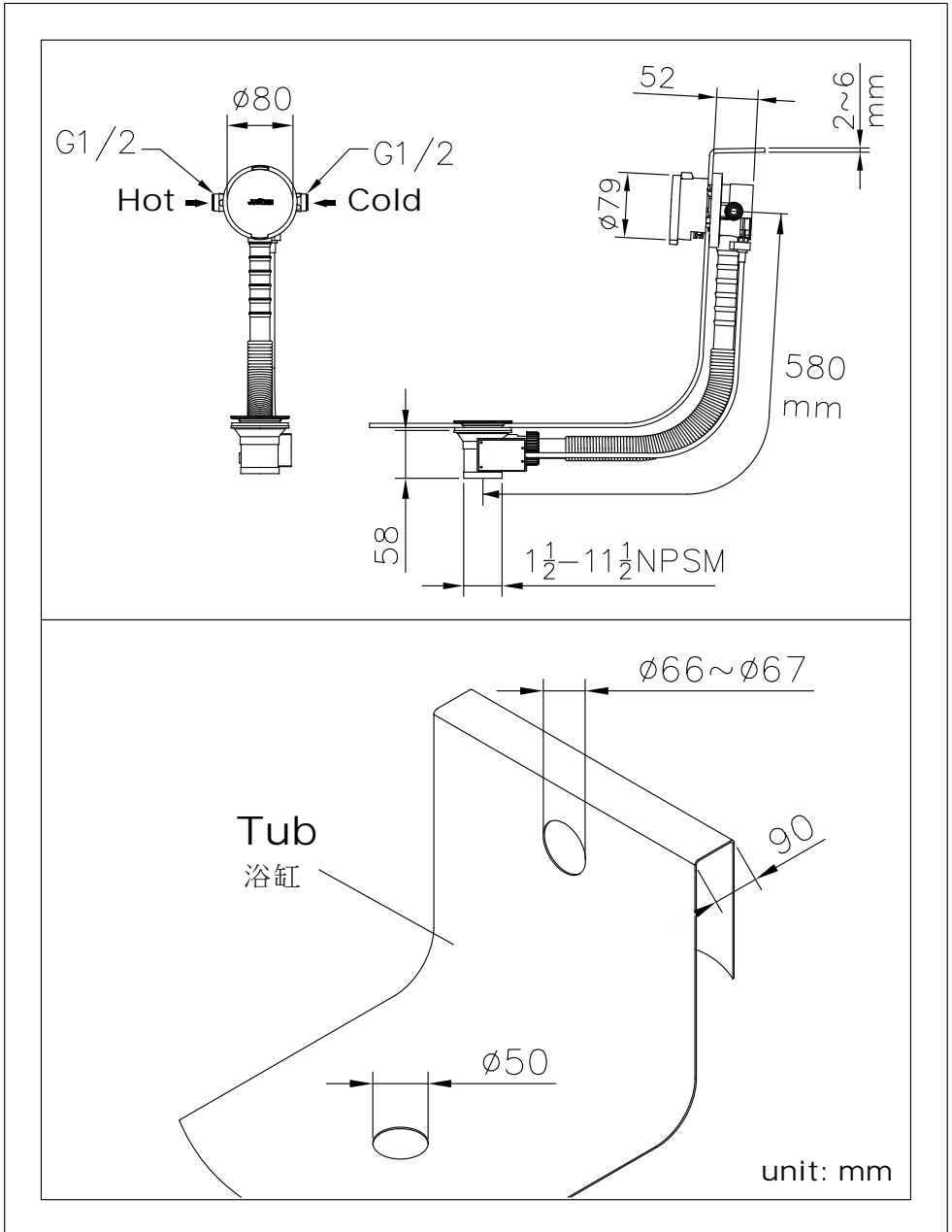
6234-K0-81CP



6234-K0-82CP

# Dimension of Product & Installation

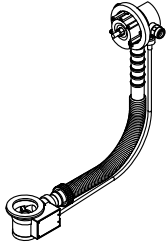
## 產品尺寸及安裝尺寸



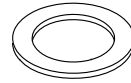
# FIXING CONTENTS

## 組配件內容

A. Multi-Function Body x1  
本體



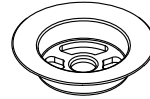
B. Rubber Washer x1  
下座墊片



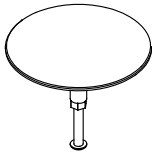
C. Adapter x1  
下座接頭



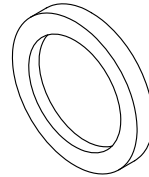
D. Bath-Drain x1  
水塞體



E. Drainer Stopper x1  
水塞蓋



F. EVA Gasket x1  
EVA墊片



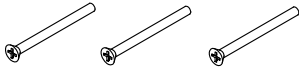
G. Fixed Kit x1  
固定片



H. Screw #10-24x22mm x2  
螺絲



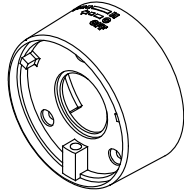
I. Screw M4x45mm x3  
螺絲



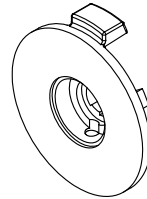
J. Plastic Washer x2  
塑膠內襯



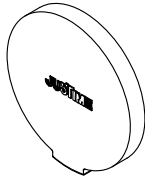
K. Escutcheon x1  
指示蓋



L. Valve Handle x1  
出水開關



M. Cable Drive Handle x1  
水塞開關



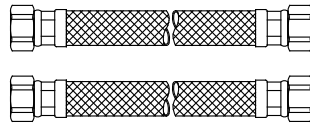
N. Set Screw M5x5mm x1  
固定螺絲



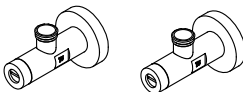
O. Hex Key (2.5mm)x1  
六角扳手



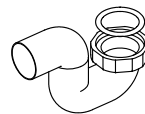
P. Braided Hose 60cm x2  
編織管



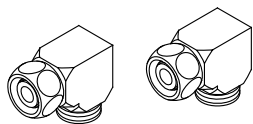
Q. Angle Stop x2 (Option)  
三角凡而 (選購品)



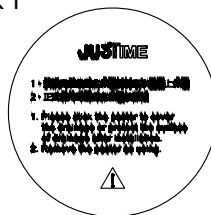
R. Bath Trap x1 (Option)  
存水彎 (選購品)



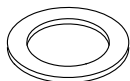
S. Connector G1/2 x2  
接頭 G1/2



T. Sticker x1  
保護貼紙



U. White Washer x1  
白色墊片



V. Silicone Washer x1  
透明墊片



## INSTALLATION NOTE

### 安裝注意事項

**⚠ CAUTION : Prevent the risk of product damage.**

When finished installation, turn the valve on and run water for 1 minute to remove any debris before using.

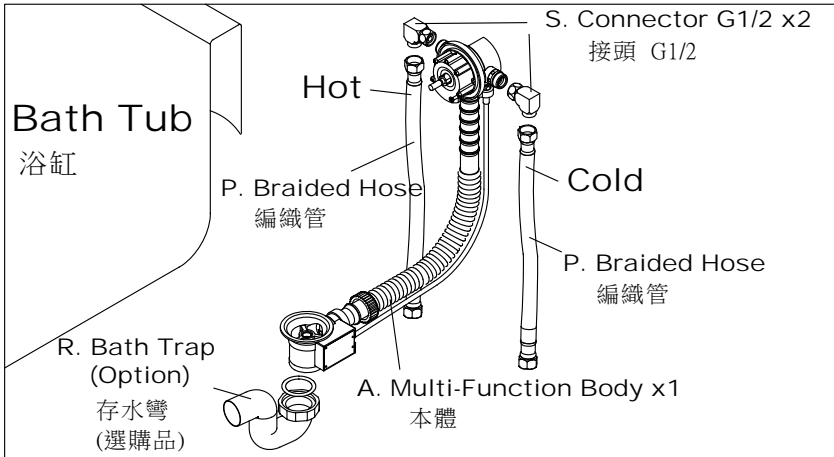
**⚠ 注意：**為增加產品使用壽命，請依說明清潔供水管路。

完成安裝後，需在使用前先把供水開關全開排水持續一分鐘，去除雜質，以保持管路清潔。

# INSTALLATION INSTRUCTIONS

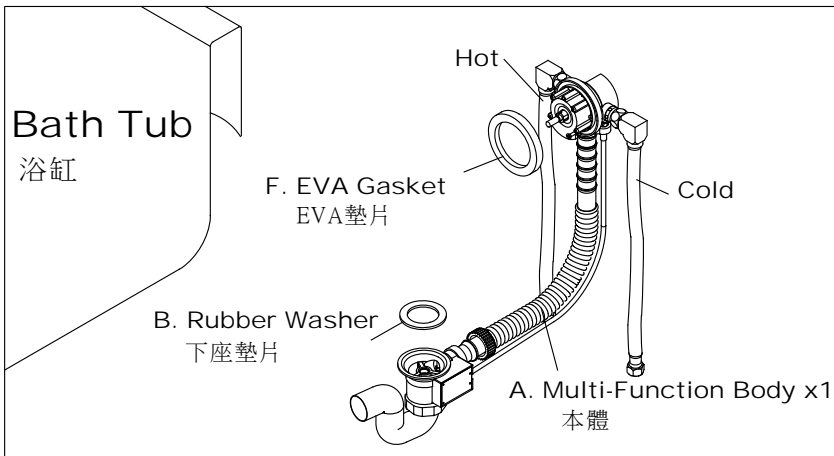
## 安裝說明

1



\* Assemble the Bath Trap (Option), Connectors, and Braided Hoses 60cm to Multi-Function Body.

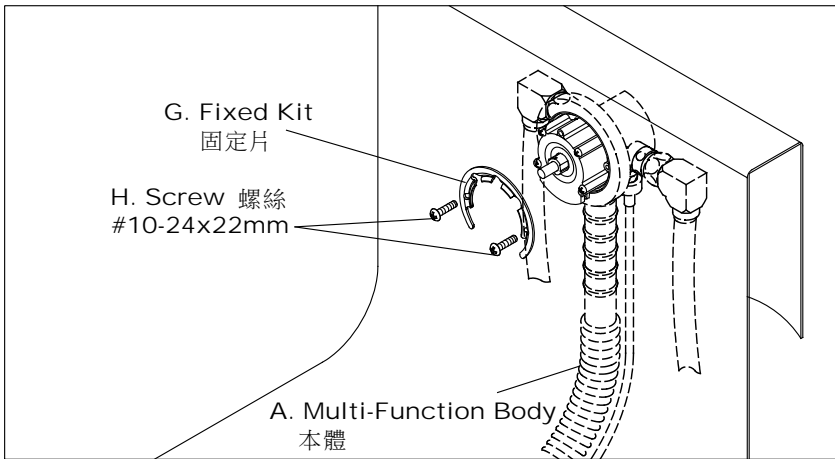
將本體下方先裝入存水彎及上方二端進水處裝上接頭及冷熱進水編織管。



\* Put the EVA Gasket and Rubber Washer on the Multi-Function Body as fig. shown.

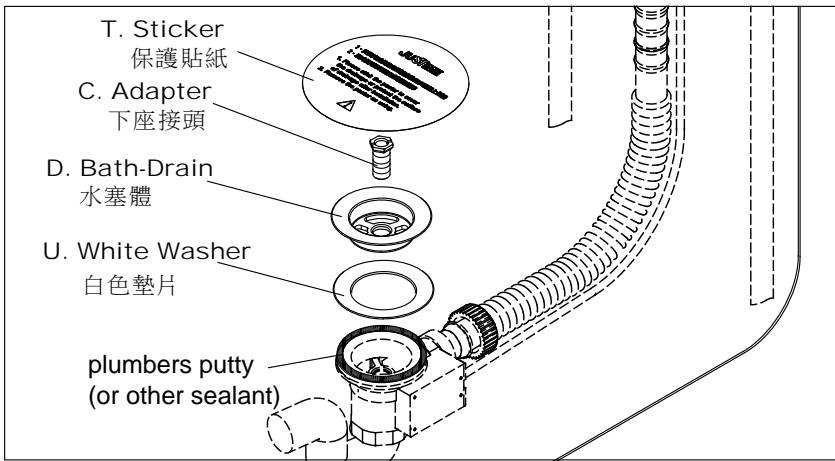
分別EVA墊片放入本體上座; 下座墊片放在本體下座。

2



\* Position the Multi-Function Body inside Bath Tub, and then fix the Fixed Kit on Valve Body with Screws(#10-24x22mm)

本體放入浴缸內部,先用固定片及螺絲先將本體上座固定.

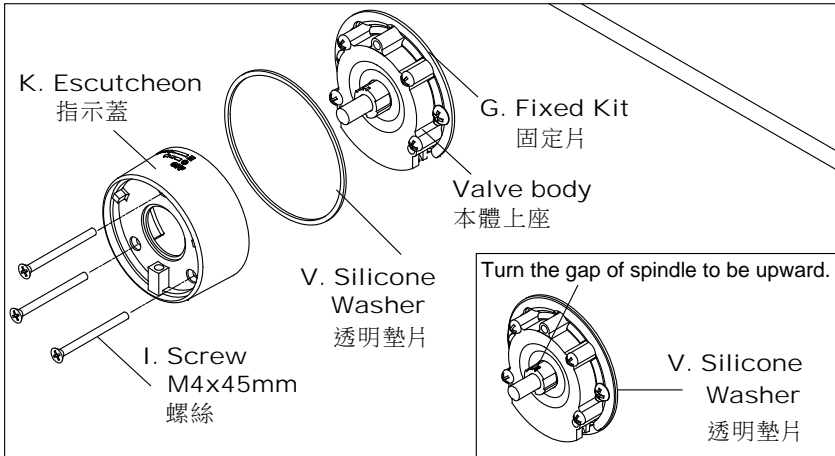


\* Apply the plumber putty (or other sealant) around the hole for Bath-Drain, put on the White Washer, and then fix Bath-Drain, White Washer, bath tub and drainage of Multi-Function Body with Adapter.

\* Paste the provided Sticker to cover the Bath-Drain for preventing the surface damage and obstruction.

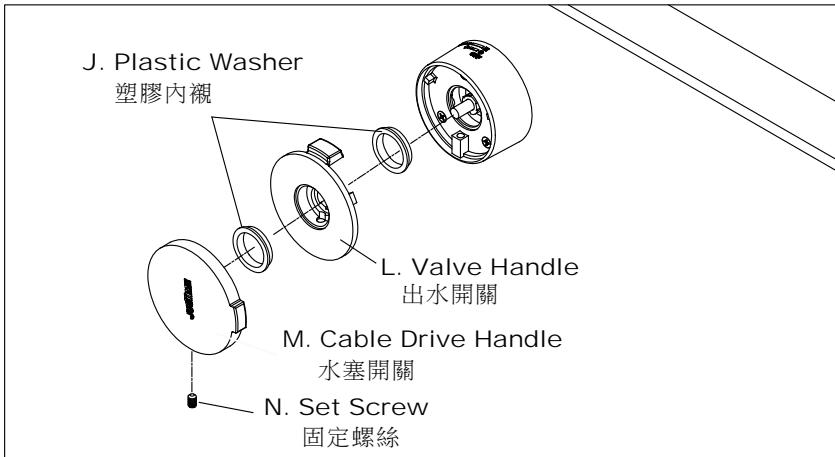
於浴缸排水孔周圍上密封膠,放上白色墊片,再放上水塞體鎖上下座接頭將水塞本體與浴缸固定. 將附的銀色保護貼貼在水塞面,避免碰傷,或雜物石頭掉入.

3



\* Put the Silicone Washer to outside of **Fixed Kit**, and then fix the Escutcheon on Valve Body with Screws(M4x45mm).

先將透明墊片套在固定片外圍，再將指示蓋蓋上並用螺絲與本體上座固定。

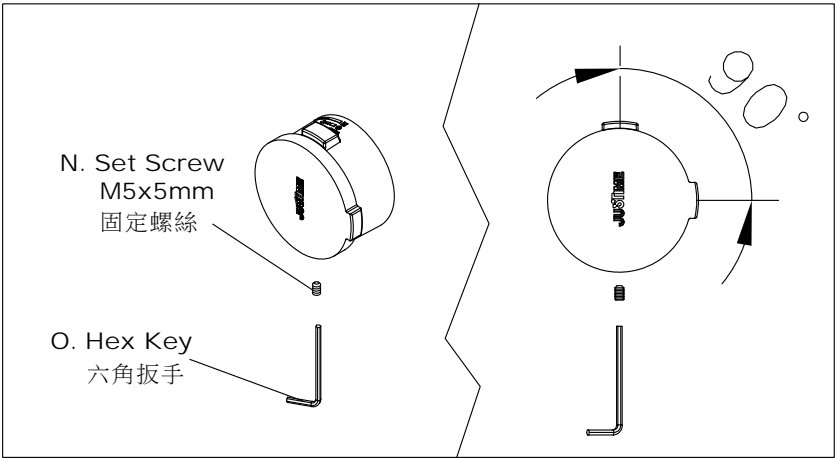
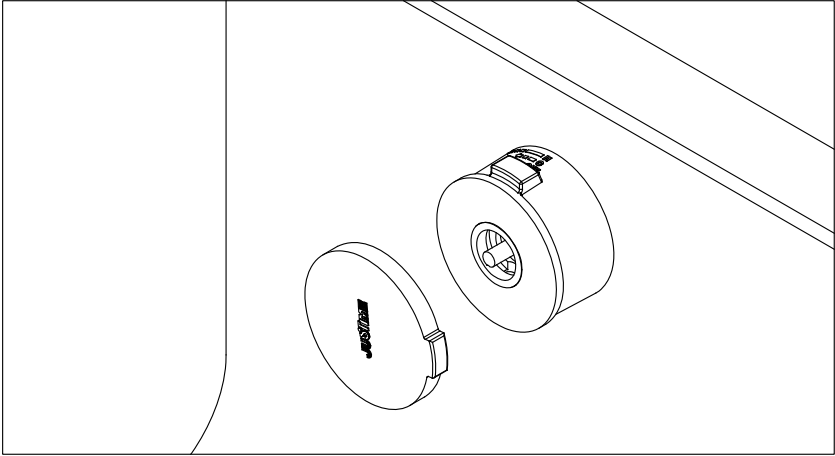


\* Assemble the Plastic Washer, Valve Handle, Plastic Washer, and Cable Drive Handle in sequence, and then fix the Set Screw with Hex key.

依序將塑膠內襯·出水開關·塑膠內襯·水塞開關放入，再用固定螺絲用六角扳手固定。



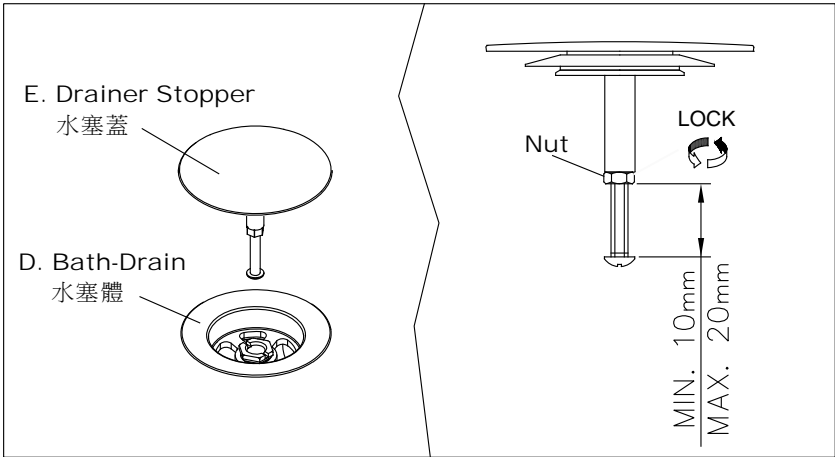
4



\* As fixing the Set Screw, please note the Cable Drive Handle and Valve Handle should be 90° as fig. shown.

注意用六角扳手鎖入固定螺絲時,水塞開關與出水開關要成90°.

5

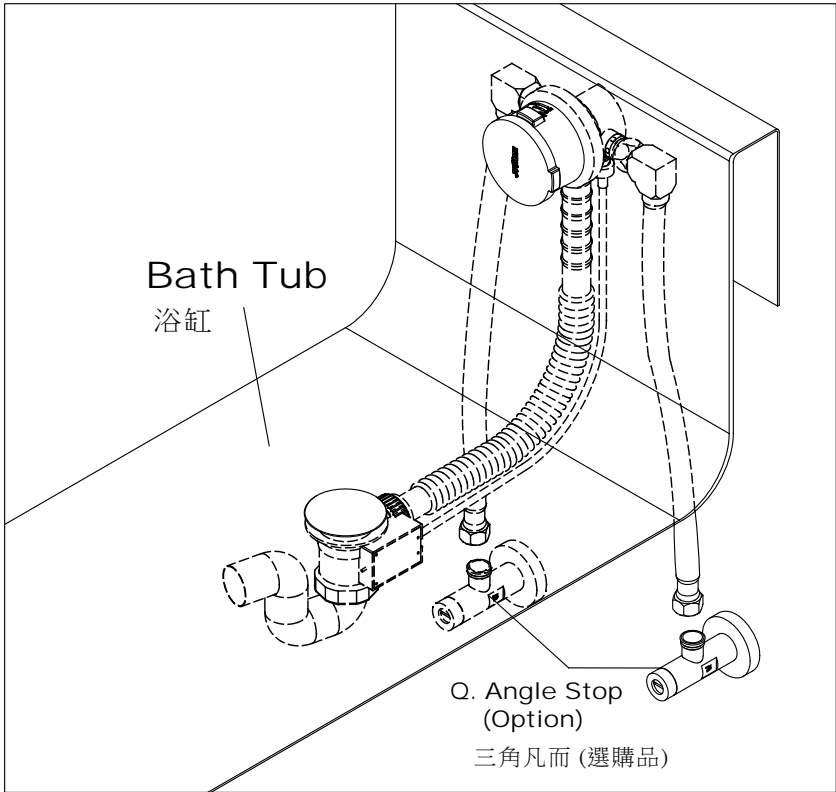


\* Adjust the screw length of Drainer Stopper, lock the nut, remove the Sticker, and then put Drainer Stopper into Bath-Drain.

將水塞蓋的螺絲調整好距離，將水塞面上的貼紙撕掉，水塞蓋再放入水塞本體。

<p>Control Cold &amp; Hot water by turning Valve Handle.</p> <p>出水開關可調整冷熱水</p>	<p>Drain by turning Cable Drive Handle.</p> <p>水塞開關可控制水塞排水</p>
<p>Cold OFF</p> <p>Warm</p> <p>Hot</p> <p>JUSTIME</p> <p>OFF Cold Hot</p>	<p>Cable Drive Handle Close</p> <p>Cable Drive Handle Open</p> <p>15mm</p>

6



\* Adjust the water flow rate of Angle Stops (Option) before using.

使用時須先將三角凡而調整到所需要的水量。

# WARRANTY

Sheng Tai Co., Ltd. offer a three-year warranty on all of the Faucets & Bathroom Accessories from date of purchasing. The warranty covers any defect in material and workmanship during normal residential use. The following conditions of defect are charged for maintaining.

- Damage caused by accident, misuse, improper care and cleaning.
- Improper using or installation.
- Defects because of the external factors, such as erodent environment (ex. Seashore or mineral spring.), animal bites or dead body remains in product etc.
- Defect because of sand or impurity stuck in faucet water way.
- Using water not adhered to the regulations of national standard.
- Deficiency caused by freeze.
- Not showing this warranty card.
- Not filling out in the blank of name of customer, date of purchase, cost of purchase, company of installation (retail store) and stamp on warranty card.
- Sheng Tai Co., Ltd. is not responsible for labor charges, installation, or other incidental or consequential costs.

勝泰衛材股份有限公司提供所有的水龍頭及浴室配件，從購買之日起三年保固。保固範圍包括在一般住宅正常使用的期間，發現產品有任何材質和加工上的瑕疵。如瑕疵有下列情形，將收取維修費用。

- 因意外事故、不當操作使用，不當的保養維護和清洗所造成的損害。
- 不當使用或安裝。
- 外在因素造成產品的瑕疵，如易造成侵蝕的環境（如濱海或溫泉地區）、動物嚙咬或屍體存在於產品內造成的損壞。
- 因砂子或雜質卡住水龍頭水路造成的損壞。
- 沒有依循國家標準的規定使用水源造成的損壞。
- 因冰凍造成的水量不足。
- 未出示此保固卡。
- 未在空白處填寫客戶名稱，購買日期，購買成本，安裝公司（零售商店），及保證卡上未蓋章。
- 勝泰衛材股份有限公司不負責工人費用，安裝，或其他附帶或間接產生的費用。

Customer	Name		Tel	
	Address			
Product	Serial No.		Name	
	Warranty	Three year from date of purchase.		
Purchase place	Store		Tel	
	Address			
Purchase Date				
Purchase Price				

**JUSTIME**  
www.justime.com

**SHENG TAI BRASSWARE CO., LTD.**

No.99 Sec.3 Chang Tsao Rd. Ho Me, Chang Hua, Taiwan

508 台灣彰化縣和美鎮彰草路3段99號

TEL: +886-4-7629971~4

FAX: +886-4-7526980

E-mail: shengtai@ms10.hinet.net

Facebook: www.facebook.com/JUSTIME