

Concealed Cistern 6373-01-8000

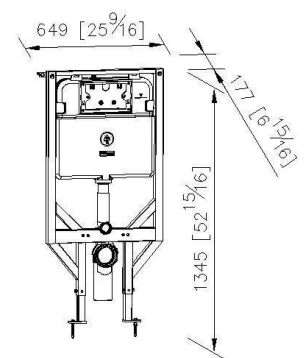
INTRODUCTION:

The simple and generous design without unnecessary lines saves up space in the washroom.



DESCRIPTION:

1. In-wall cavity dual flush cistern
2. Top inlet entry
3. Flush pipe, key seal & fixings included
4. Material of main body: Steel with antirust paint.
5. Material of stands: SUS 304.
6. Two dual-flush configurations available: 6L/3L.
7. Product Size: 603*110*1140~1340mm



unit: mm[inch]

Certification:

Fixing Kits:

1. Parts1: (Screw*2; Plastic Anchors*2)
2. Parts2: (Fixing plate*2; Washer*2; Screw*2; Bracket*2)
3. Parts3: (Cover*2; Screen*2; Washer*2; Nut*2)
4. Parts4: (Plastic Screw*4; Washer*4; Screw*4)



AWARD: