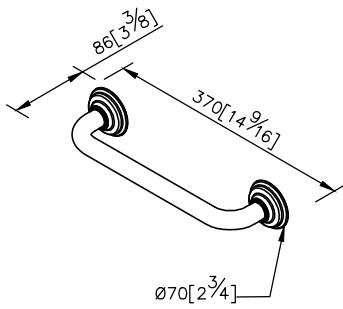


**Grab Bar**  
6703-55-80CP



unit: mm[inch]

- 1.Brass of forging body meets JIS 3604 standard.
- 2.Premium metal construction for durability.
- 3.Justime finishes resist corrosion and tarnish.
- 4.Finish meets the standard of ASTM-SC2.
- 5.Correctly installed product's loading is 120 kg f.
- 6.Equipped with stainless steel screws for secure installation.
- 7.Coordinates with other products in Classik collection.

