

Hand Shower Holder W/Hand Shower 6703-DC-85CP

INTRODUCTION:

Classik Series created the classic style across generations with precise design and modern technologies. The elegant shapes and graceful details remove the complication of traditional classic style, but keep the artistic attainments. Therefore, Classik Series Faucets could satisfy the fine art request of present generation.

DESCRIPTION:

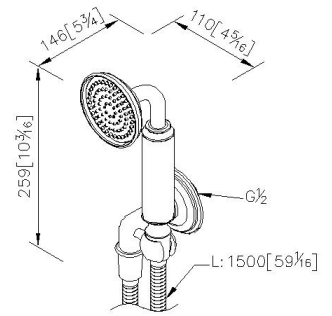
- 1.Brass of forging body meets JIS 3604 standard.
- 2.Premium metal construction for durability.
- 3.Justime finishes resist corrosion and tarnish.
- 4.Finish meets the standard of ASTM-SC2.
- 5.Thread: G 1/2.
- 6.Coordinates with other products in Classik collection.

Certificaiton:

Fixing Kits:

N/A

AWARD:



unit: mm [inch]