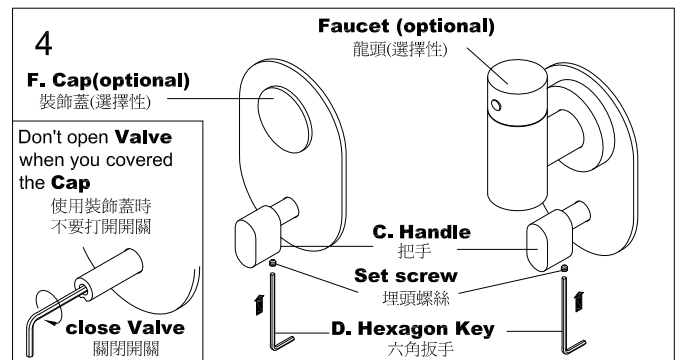
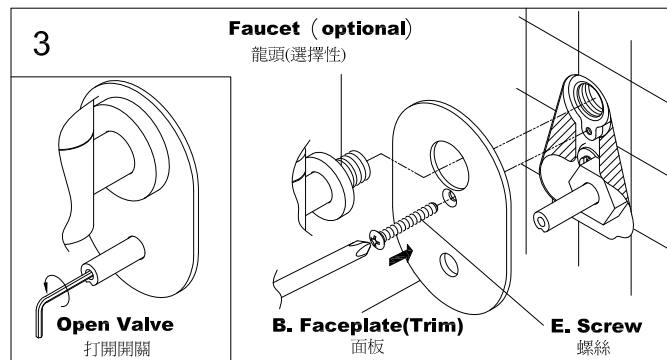
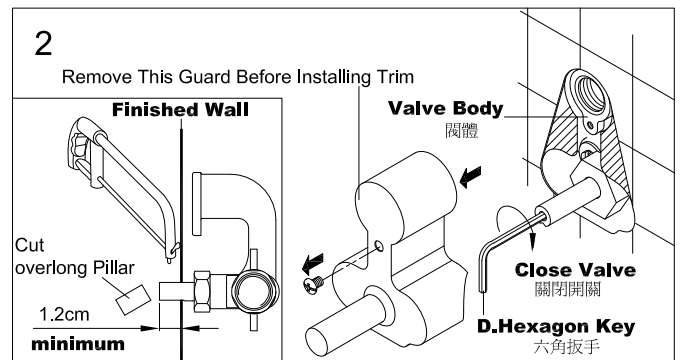
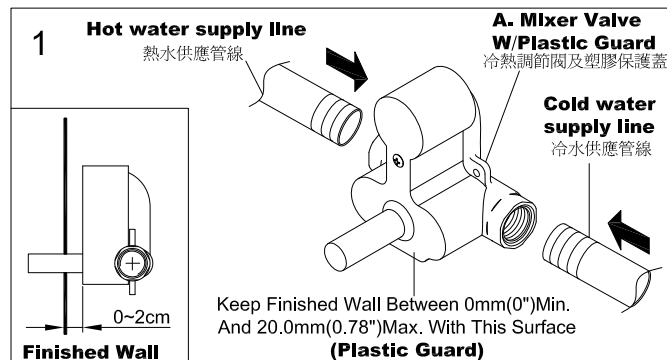


# INSTALLATION INSTRUCTIONS

## Mixer Valve

### 冷熱調節閥安裝說明



#### CAUTION : Risk Of Product Damage.

注意：為增加產品使用壽命，請依說明清潔供水管路。

When finished installation, turn the valve on and run for 1 minute before using.  
完成安裝後，需在使用前先把供水開關全開排水持續一分鐘。

**WARNING:** Always turn off Valve with Hexagon Key(2.5mm) provided before starting. Keep the distance from Finished Wall to Plastic Guard surface between 0~2cm(0.78")max.

注意：開始安裝前，務必用隨附的六角扳手(2.5mm)將冷熱供水開關關閉(順時鐘方向旋轉,即可關閉開關)。牆壁與塑膠保護蓋表面保持在0~2cm(0.78")。

1. Apply pipe compound or sealant tape to Hot and Cold water supply line then connect with Valve Body as Fig. 1 shown.

如Fig.1所示先將冷熱水供應管線的牙塗上管牙膠或包覆止洩帶,然後再與閥體組裝。

2. Remove This Guard Before Installing Faceplate(Trim) and cut overlong pillar to certain length as shown for fixing Handle then close Valve with Hexagon Key(2.5mm) as Fig.2 shown.

如Fig.2所示安裝前先移除保護蓋並可依情況將過長的桿子切除,然後用六角扳手順時鐘方向關閉閥體。

3. Locked Faceplate(Trim) with Screw and installing Faucet, then open the Valve with Hexagon Key and fixed Handle in place with Set screw.

用螺絲將面板固定住,然後在裝上水龍頭之後用六角扳手打開開關。

4. Or, locked Faceplate(Trim) with Screw and fixed Handle with Set screw then cover Cap in place ready for use.

或用螺絲將面板固定住,然後用埋頭螺絲將把手固定住,再用裝飾蓋將安裝龍頭的孔蓋住,保持備用狀態。

**Note:** The Mixer Valve Handle only for adjust water temperature. Keeping the Hexagon Key(2.5mm) provided for open & close Valve in future if necessary.

注意：冷熱調節閥的把手僅為調整水溫的功能。如有需要請保留隨附的六角扳手(2.5mm)以供往後打開或關閉閥體。

The thread of inlets of both sides are 1/2 BSPT. Please purchase the additional connectors for different specification of pipes.  
閥體本身進水口的牙規格為1/2 BSPT,如不符合使用規格請加購轉接頭

## FIXING CONTENTS

### 組配件內容

<b>A. Mixer Valve W/Plastic Guard</b> ×1 冷熱調節閥及塑膠保護蓋	<b>B. Faceplate(Trim)</b> ×1 面板	<b>C. Handle</b> ×1 把手	<b>D. Hexagon Key(2.5mm)</b> ×1 六角扳手	<b>F. Cap (optional)</b> ×1 裝飾蓋(選擇性)	<b>G. Connector (optional)</b> ×2 轉接頭 1/2G x 1/2R
		 Set screw included 內含埋頭螺絲	 <b>E. Screw</b> ×1 螺絲		