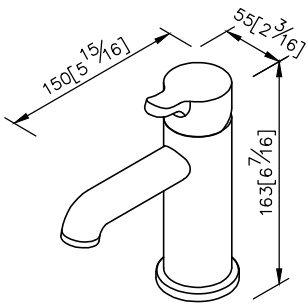


Basin Faucet

6766-90-80CP



- 1.Brass of casting body meets ISO CuZn40Pb standard.
- 2.Premium metal construction for durability.
- 3.Justime finishes resist corrosion and tarnish.
- 4.Finish meets the standard of ASTM-SC2.
- 5.Stainless steel braided hose with M10 x 1.0mm (Male thread connect to faucet body) and 1/2"-14NPSM (Female thread connect to water supply system).

unit: mm[inch]

