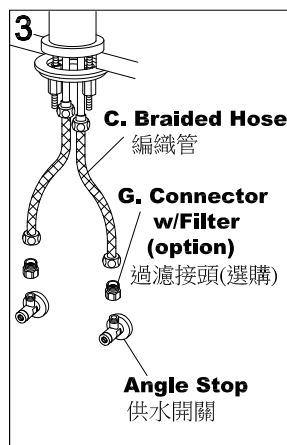
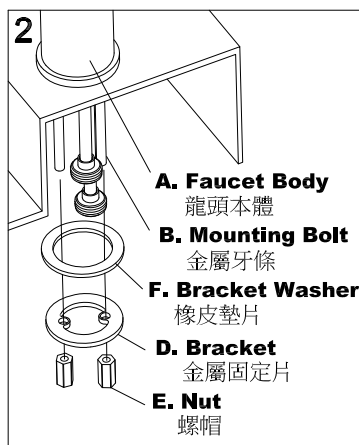
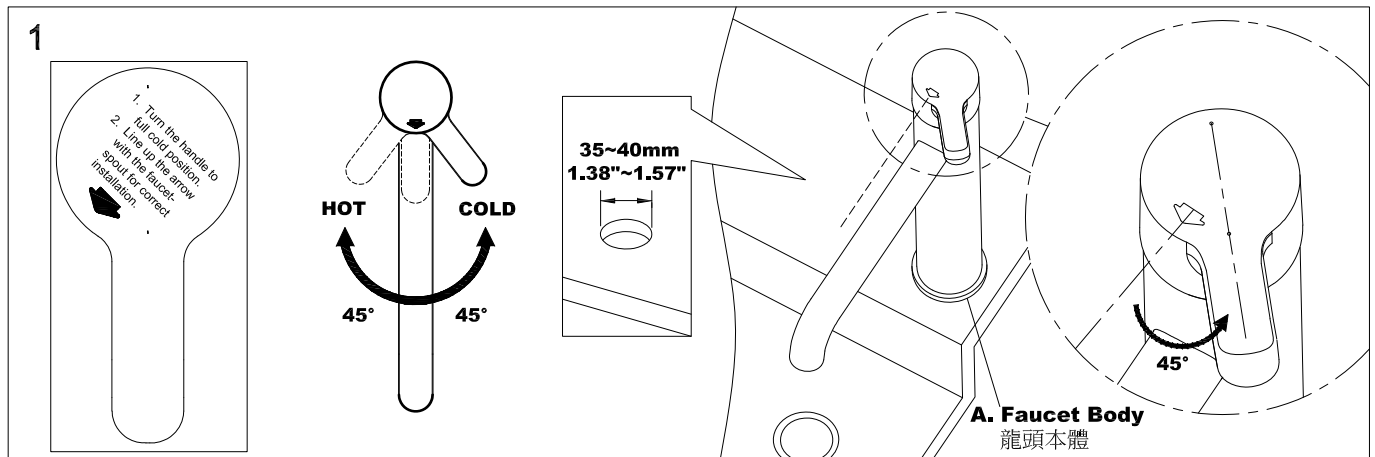


# INSTALLATION INSTRUCTIONS

## KITCHEN FAUCET / BASIN FAUCET

### 廚房檯面龍頭 / 洗臉盆龍頭安裝說明



### CAUTION : Risk Of Product Damage.

注意：為增加產品使用壽命，請依說明清潔供水管路。

a./ Turn the angle stops (water suppliers) on and run for 1 minute before connect supply hose (braided hose) to faucet body. or b./

安裝編織管之前，先把供水開關全開排水一分鐘。或 b./

b./ Connect and tighten the faucet and angle stops with supply hose (braided hose) to finish installation, then remove the aerator, fully turn on the hot and cold water valves on faucet and run for 1 minute, then turn off the water and reinstall the aerator.

把龍頭、供水開關及編織管接好並鎖緊之後，把起泡器移開，把熱水及冷水全部轉開一分鐘，然後把水關掉再把起泡器裝回去。

1. Turn the handle to full cold position, and line up the arrow with the faucet spout for correct installation.

(\* Please do not remove the sticker from the handle before finishing the installation.)

將把手轉向全冷位置，出水口方向與把手上方貼紙的箭頭方向一致，且朝向正常使用出水方向進行安裝。

(\* 請注意未確認完成安裝前，請勿移除把手上方貼紙)

2. Screw **Mounting Bolt** into bottom of the **Faucet Body**, position **Faucet Body** on fixture and place **Bracket with Bracket Washer** and **Nuts** onto **Mounting Bolt**, then tighten **Nuts** securely.

**NOTE: The Nuts should be tightened to prevent the shaking as operating.**

將金屬牙條鎖緊固定於龍頭本體。從金屬牙條下方依序套入橡皮墊片、金屬固定片和螺帽，確認方向位置後，鎖緊螺帽固定龍頭即可。 \*\*注意須鎖緊避免操作時本體晃動 \*\*

3. Install **Connector w/Filters** onto the outlet of **Angle Stop** first. Insert **Braided Hoses** into the bottom of **Faucet Body**, then connect **Braided Hoses** to **Connector w/Filters**. After completing the installation, please remove the sticker on the handle.

先連接過濾接頭到進水開關，將編織管鎖入龍頭本體，並連接到過濾接頭，確認完成安裝後請移除把手上方貼紙。

### FIXING CONTENTS 組配件內容

