

Still One

Kitchen Faucet 6770-95-80S1

INTRODUCTION:

Inspired by the main design conception of "Less is More" Still One used brief lines and a simple model to integrate the practicality and elegance with the concise design style. It also fits for the general kitchen arrangement- small and saving space. The product is made of lead-free brass or stainless steel, which both meet NSF Standard.

DESCRIPTION:

1. Stainless Steel material has character of acid-resisting, heat-resistant and erode-resisting and surface with brushed finish could increase durability.
2. Swiveling spout has passed up to 50,000 turns test.
3. Ceramic valve with CERAMTEC ceramic disc / (Germany)
4. Handle can be moved up to 25° to adjust water flow from closed position, hot and cold water control by swinging handle 45°.
5. Stainless steel braided hose with SANTOPRENE tube (meets NSF approval), can be stood 15Kg/cm² water pressure and 120°C heat.
6. Stainless steel braided hose with M10 × 1.0mm (Male thread connect to faucet body) and 1/2"-14NPSM (Female thread connect to water supplier system).
7. Aerator with removable flow restrictor (2.2 GPM max.).

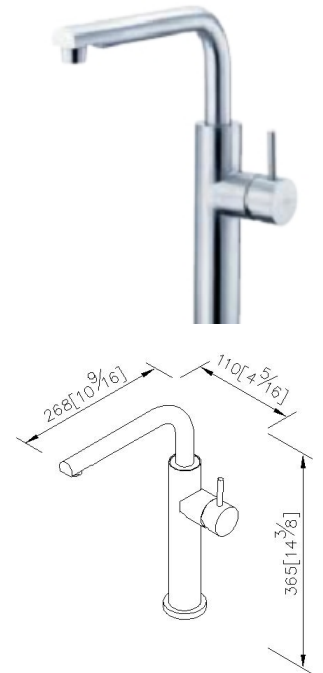
Certification:



Fixing Kits:

- Mounting Bolt*1
- Rubber Washer*1
- Nut*1
- Bracket*1

AWARD:



unit: mm [inch]