

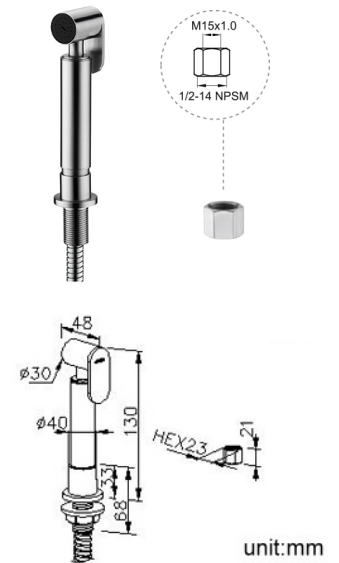
Sprayer 6770-WK-82S1

INTRODUCTION:

The simply shaped and perfect function. Inspired by the main design conception of "Less is More" Still One used brief lines and a simple model to integrate the practicality and elegance with the concise design style. It also fits for the general kitchen arrangement- small and saving space.

DESCRIPTION:

1. Stainless Steel material has character of acid-resisting, heat-resistant and erode-resisting and surface with brushed finish could increase durability. It is convenience for user to clean the environment.
2. The plastic cover on sprayer could be took apart by 4.0mm Hex Wrench for easily cleaning.
3. With precise manufacture, the sprayer can stand the presure from 1kg to 5kg
4. Stainless steel braided hose with SANTOPRENE tube (meets NSF approval), can be stood 15Kg/cm² water pressure and 120°C heat.



Certifictaion:

Fixing Kits:

1. N/A

AWARD: