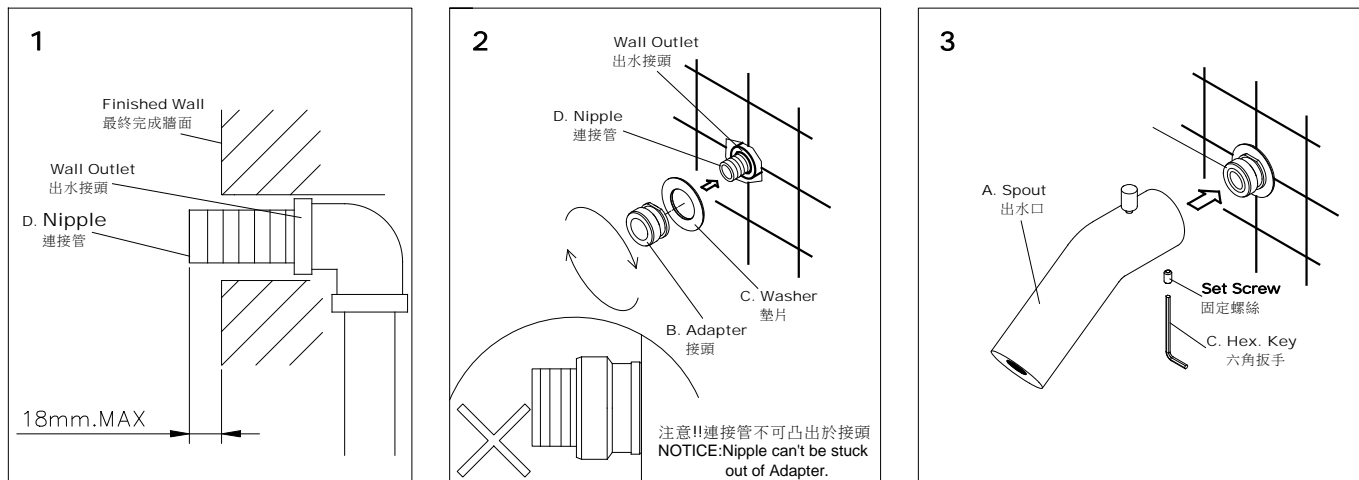


# INSTALLATION INSTRUCTIONS

## SPOUT

### 出水口安裝說明



### CAUTION : Prevent The Risk Of Product Damage.

注意：為增加產品使用壽命，請依說明清潔供水管路。

Remove the aerator and fully turn on the faucet and run for 1 minute after finish installation, and then turn off the water and reinstall the aerator.

完成安裝之後，把起泡器移開，把水全部轉開持續一分鐘，然後把水關掉再把起泡器裝回去。

1. Check the distance from wall outlet to finished wall, and then choose the proper Nipple (Option) for connecting. NOTICE: Keep the maximum length of nipple to be out of finished wall with 18mm.  
先量測牆壁接頭與接頭內牙距離，然後依量測結果取適當長度的連接管，連接管突出牆面不可超過18mm。
2. Apply the pipe compound or thread sealant tape to both sides of Nipple (Option), screw Nipple (Option) into the wall outlet. Arrange the foam side of Washer to face to finished wall, and then screw the Adapter against the wall.  
將墊片的泡棉面朝牆放置連接管底部，再將連接管的外牙塗上牙管膠或包覆止洩帶，將接頭鎖上連接管，鎖緊至貼緊牆面。
3. Loosen the Set Screw of Spout, fix Spout to the Adapter, adjust the direction, and then tighten the Set Screw securely with Hex. Key to finish the installation.  
用六角扳手將出水口下方的固定螺絲拆除，然後接上接頭，並調整好位置，再利用六角扳手鎖上固定螺絲。

## FIXING CONTENTS

### 組配件內容

