

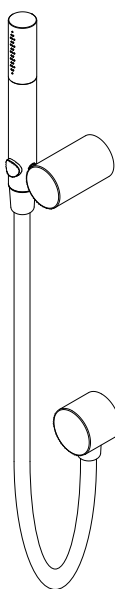
INSTALLATION INSTRUCTIONS

Concealed Shower Mixer

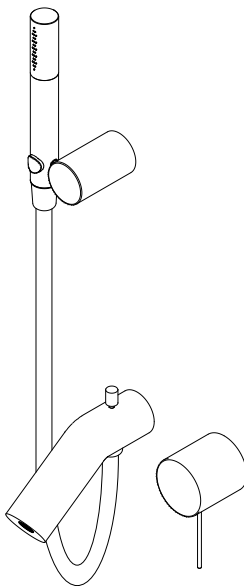
壁式淋浴龍頭安裝說明

Applicable Product Number:

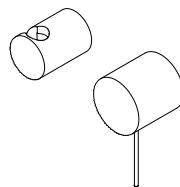
適用產品型號:



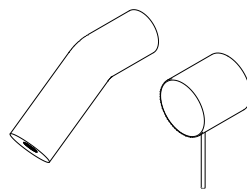
6777-X3-81CP



6777-X4-81CP



6777-X3-90CP



6777-WX-80CP

CARE & CLEANING

清潔與保養

CAUTION : This product might be damaged by improper installation, acid cleaning solution, misuse, improper care and cleaning.

1. Always follow the INSTALLATION INSTRUCTIONS provided and use extreme care while installing.
2. Do not use acid cleaning solution or abrasive cleaner (Ex: Hydrochloric acid or toothpaste); test your cleaning solution on an inconspicuous area before applying to the entire surface.
3. Wipe surfaces clean and rinse completely with water immediately after applying cleaner. Do not soak with cleaners. Rinse and dry any overspray that lands on nearby surfaces.
4. Use a dampened sponge or cloth to clean surface. (Do not use abrasive material such as brush or scouring pad.)

注意：此產品有可能因為不當安裝，誤用酸性清潔劑或清潔方式不正確而造成產品受損。

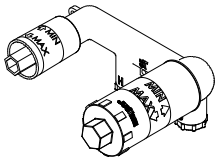
1. 產品安裝時必須依照產品所附的安裝說明和操作方式安裝。
2. 不可使用含有酸性或具研磨效果的清潔劑清洗（例如：鹽酸、牙膏），請先在產品較不顯眼的地方測試您的清潔方法，然後再應用到整個表面。
3. 產品塗佈清潔劑後，應立即擦拭除污，用清水沖洗，並擦乾產品和檯面。切勿讓清潔劑在產品表面浸濕潤漬過久。
4. 請使用濕海綿或乾淨棉布擦拭產品表面。（不可使用會刮傷或具研磨材質的刷子及鋼刷）。

FIXING CONTENTS

組配件內容

A. Valve Body X 1 (with sleeves)

牆壁內本體(含保護套筒)



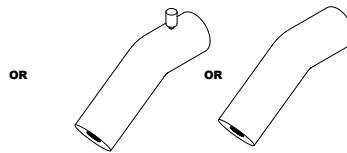
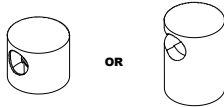
B. Hex Key X 1

六角扳手 (3.0mm)



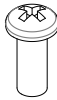
C. Outlet X 1 or Spout X 1

轉接頭或出水口



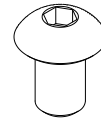
D. Phillips Button Head Screw X 1

十字螺絲



E. Hex Socket Button Head Screw X 1

內六角螺絲



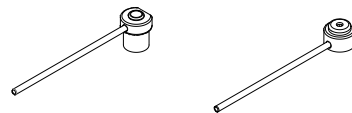
F. Handle Base x 1 (with O-Ring)

把手座(含O-ring)



G. Lever X 2

把手桿

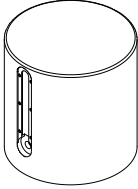


FIXING CONTENTS

組配件內容

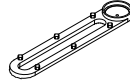
H. Handle X 1

把手蓋



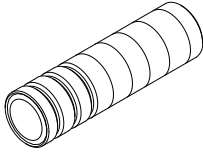
I. Decorative Cover X 1

裝飾蓋



J. Nipple X 1

牙管

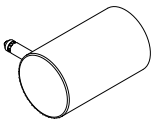


FIXING CONTENTS For 6777-X3-81CP & 6777-X4-81CP

以下零件適用於6777-X3-81CP與6777-X4-81CP

K. Hand Shower Holder X 1

花灑掛座



L. Hand Shower X 1

手持花灑



FIXING CONTENTS

組配件內容

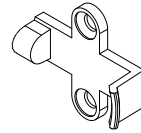
M. Phillips Countersunk Head Screw X 2

螺絲



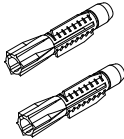
N. Bracket X 1

掛座基座



O. Plastic Anchor X 2

塑膠塞



P. Shower Hose with Gaskets X 1

蛇管(含墊片)

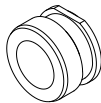


FIXING CONTENTS For 6777-WX-80CP & 6777-X4-81CP

以下零件適用於6777-WX-80CP與6777-X4-81CP

Q. Adaptor X 1

轉接頭



R. Washer X 1

墊片



INSTALLATION NOTE

安裝注意事項

⚠ CAUTION : Please read the following points carefully before installation.

1. Keep the **Valve Body** faces horizontal and parallel to the wall that will be finished.
2. Connect hot and cold supplies pipes to the **Valve Body**, and keep the distance between 2"(5.1cm) minimum and 3"(7.6cm) maximum from the **Valve Body** center to the **Finished Wall**.

⚠ CAUTION : Prevent the risk of product damage.

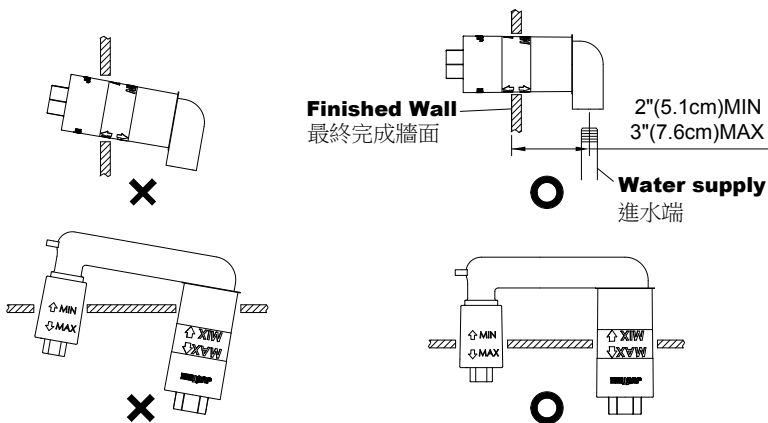
1. When finished installation, turn the valve on and run water for 1 minute to remove any debris before using.

⚠ 注意：安裝前，請詳閱下列注意事項。

1. 本產品安裝固定閥體於牆壁內側時，閥體需與牆壁保持平行。
2. 進水管中心與最終完成牆面的距離須保持在最小2"(5.1cm)到最大3"(7.6cm)之間。

⚠ 注意：為增加產品使用壽命，請依說明清潔供水管路。

1. 完成安裝後，需在使用前先把供水開關全開排水持續一分鐘，去除雜質，以保持管路清潔。

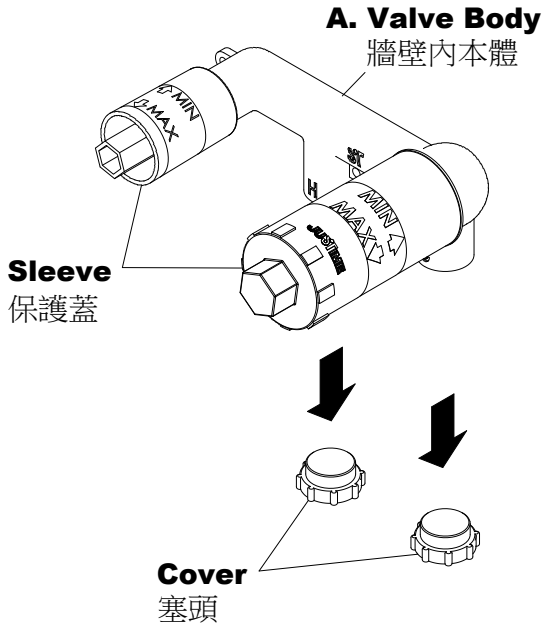


INSTALLATION INSTRUCTIONS

安裝說明

Check the Sleeves

檢查保護蓋



- * Use **Sleeves** to protect the cartridge and thread before installation, **Sleeves** shall only be removed after finishing the wall.

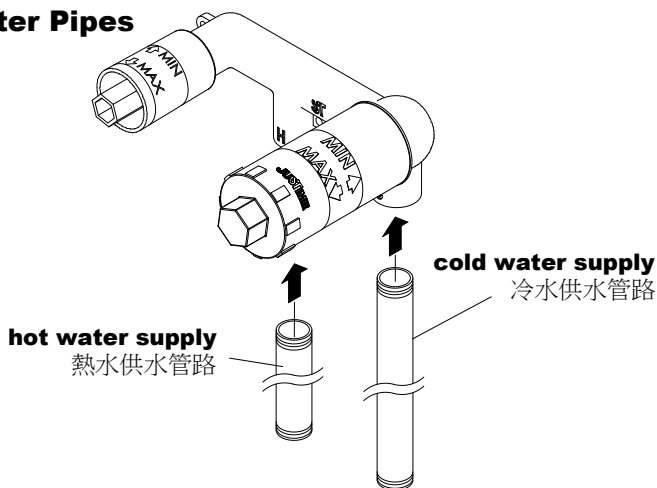
使用保護蓋保護陶瓷中心栓及螺牙，必須在安裝程序前先套上。完成埋壁體安裝程序後才可以取下保護蓋。

- * Remove the **Covers** of cold and hot inlets before installation.

安裝前請先移除冷熱水進水口塞頭。

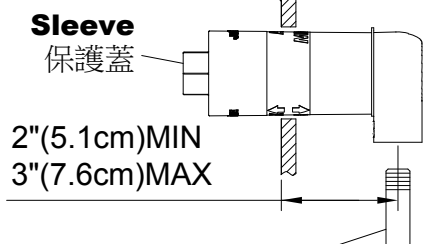
Connect Water Pipes

安裝供水管路



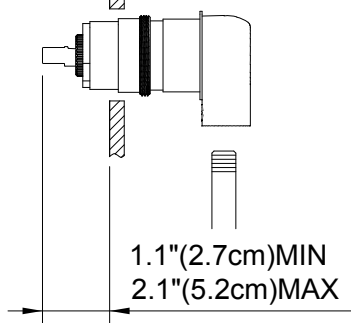
Finished Wall

最終完成牆面



Finished Wall

最終完成牆面

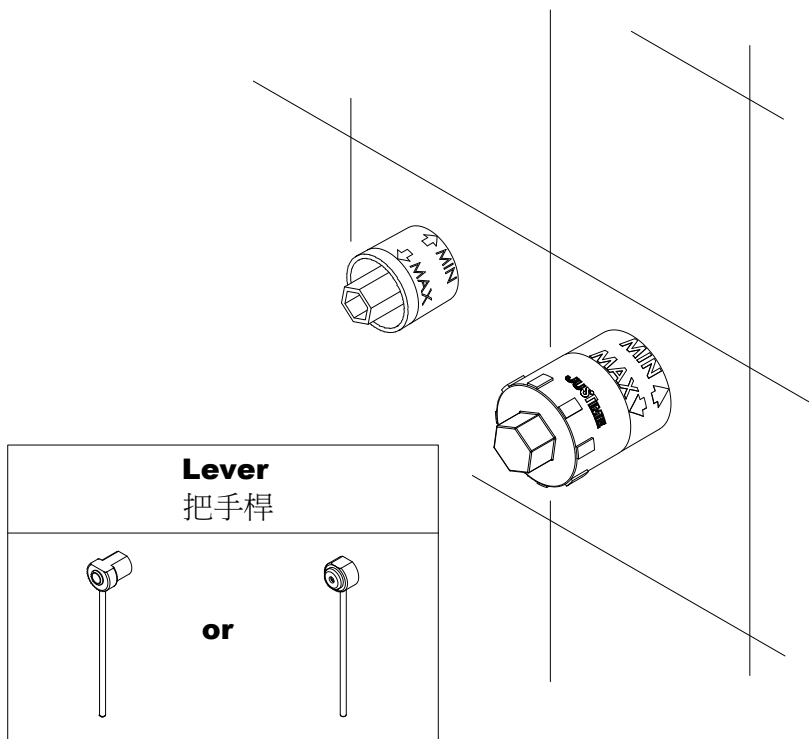


* Connect hot and cold supplies pipes to the valve body, keep the distance between 2"(5.1cm) minimum and 3"(7.6cm) maximum from the finished wall; or keep the distance from 1.1" (2.7cm) to 2.1" (5.2cm) between top of cartridge and **Finished Wall** for necessary conditions.

安裝牆壁內本體時需預留的牆壁厚度，牆壁內本體與最終完成牆面的距離須保持在最小2"(5.1cm)到最大3"(7.6cm)之間，或陶瓷中心柱與最終完成牆面保持在最小1.1"(2.7cm)到最大2.1"(5.2cm)，此為安裝必要條件。

Select the right Lever

選擇適用的把手桿

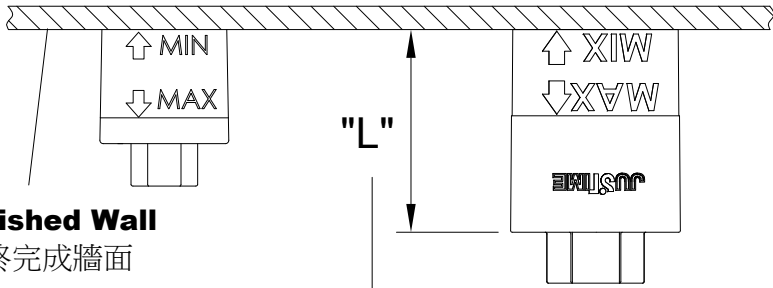


* Before installing spout and handle, choose the proper **Lever** and **Nipple** according to the distance from top of the **Sleeve** to the finished wall.

安裝出水口和把手前，請先根據保護蓋凸出距離，選擇適用的把手桿。

* Figure P.9 will explain how to select correctly.

請參考P.9的教學，選擇適當的把手桿。



Finished Wall
最終完成牆面

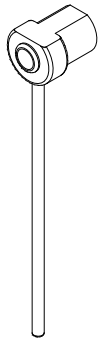
1.3"(3.3cm)



1.8"(4.5cm)

Lever (A)

把手桿 (長)



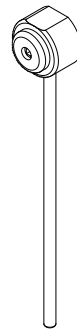
1.7"(4.4cm)



2.4"(6.0cm)

Lever (B)

把手桿 (短)

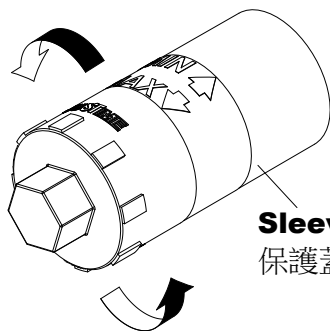
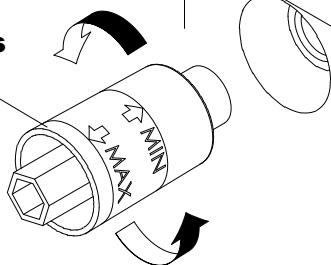


Remove the Sleeves

移除保護蓋

Sleeves

保護蓋



Sleeves

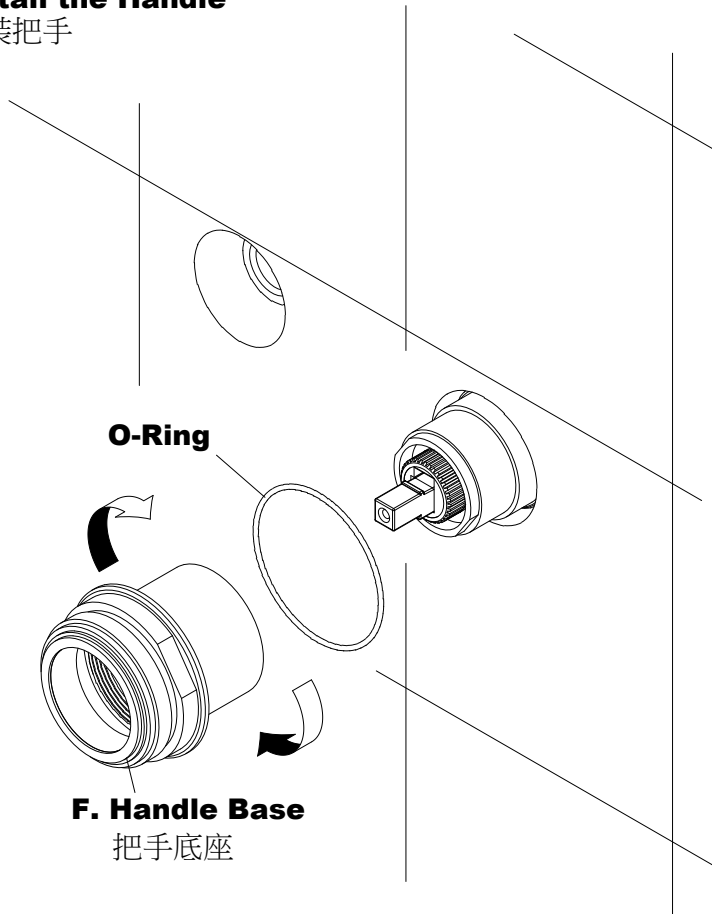
保護蓋

* Remove the **Sleeves** only when the proper **Lever** was selected.

確認適用的把手桿後，再將保護蓋卸除，進行後續組裝。

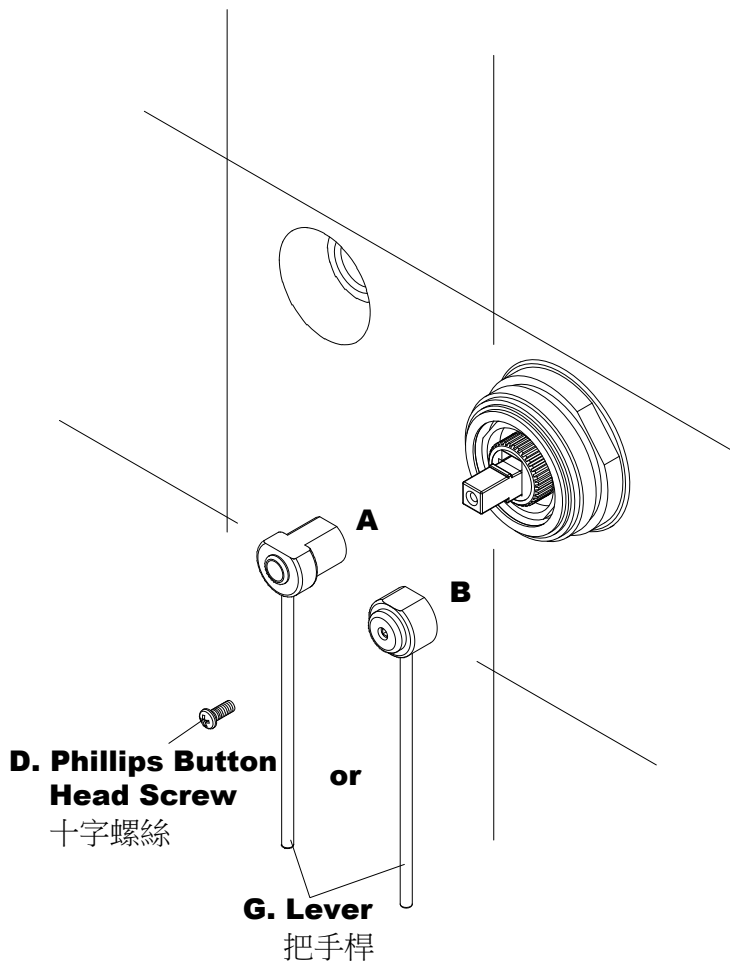
Install the Handle

安裝把手



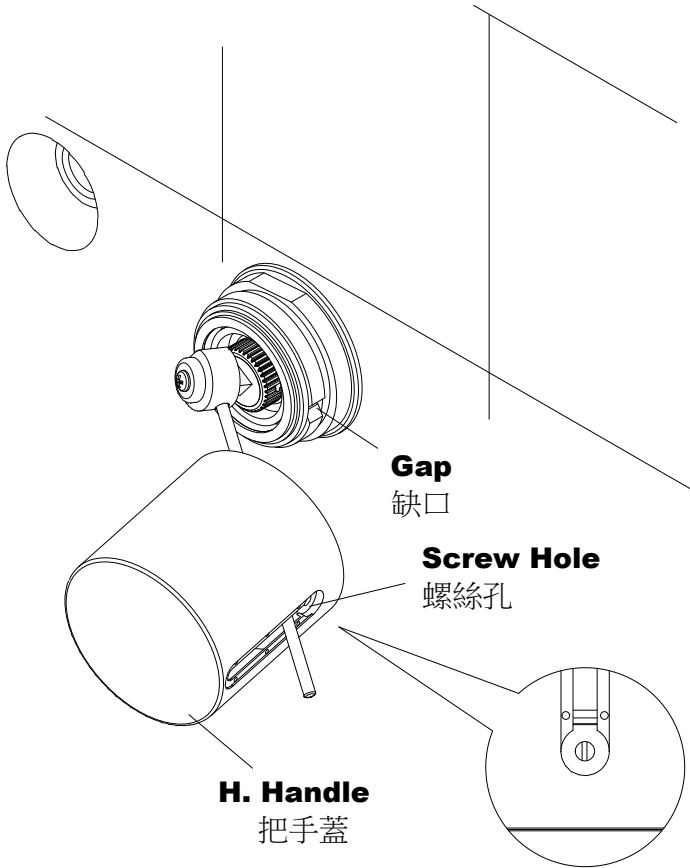
* Screw in the **Handle Base** with **O-Ring** clockwise to the **Valve Body** and tighten it. Please notice the **O-Ring** has to be placed between base and wall.

將把手底座依順時針方向旋轉鎖入牆內閥體直到貼緊牆壁，注意 O-Ring 不可掉落。



* Fix the chosen **Lever** to the top of cartridge with **Phillips Button Head Screw**.

選擇適用的把手桿，套入閥芯前端的四方柱後再以螺絲鎖緊固定。



Gap
缺口

Screw Hole
螺絲孔

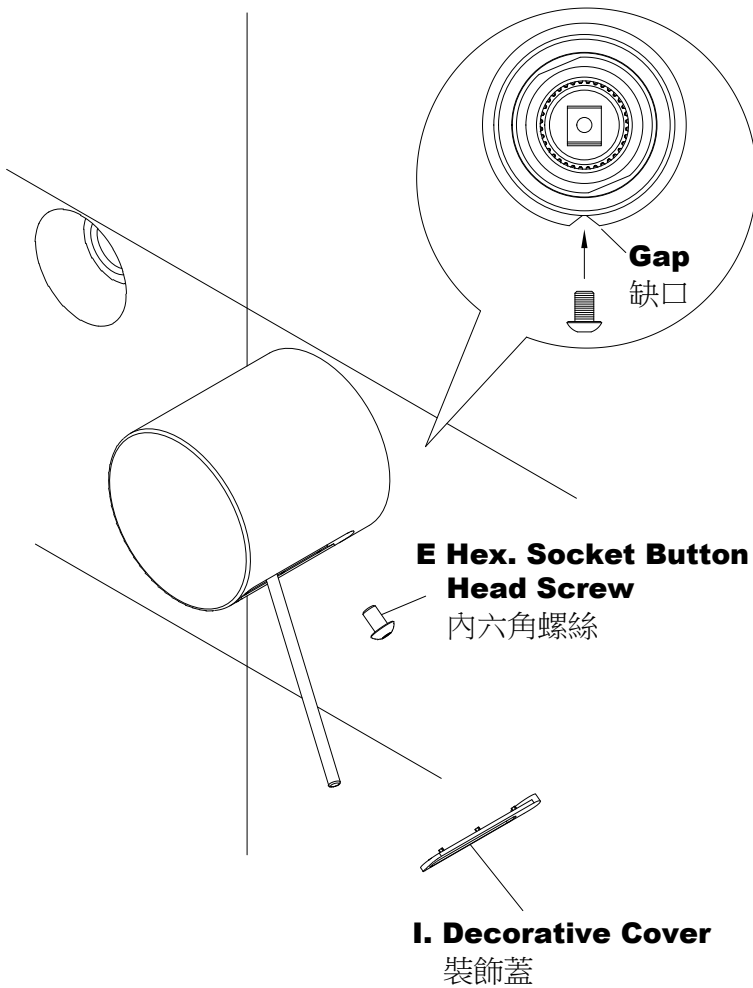
H. Handle
把手蓋

**Aim the Screw Hole
of Handle to the Gap.**

螺絲孔與塑膠缺口
須同方向

* Insert the Lever through a hole in the **Handle**. Completely cover the handle base Aim the screw hole into the gap.

將把手蓋穿過把手桿後套入底座，套入時注意把手蓋底部螺絲孔須和把手底座的塑膠缺口同方向。



* Fix the **Handle** to the Base with the **Hex Socket Button Head Screw**, and then add the **Decorative Cover**.

將螺絲鎖入把手蓋底部固定後，蓋上裝飾蓋。



J. Nipple
牙管

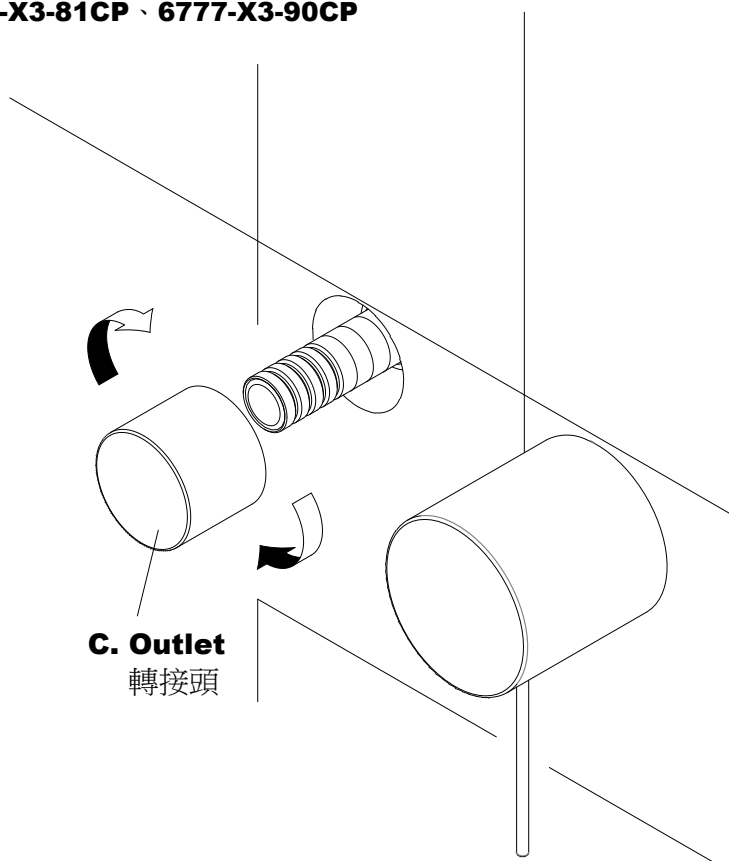
* Cut the **Nipple** for proper length; Apply the pipe compound or thread sealant tape and then screw it to the **Valve Body**.

牙管裁切適當長度後，纏上止洩帶鎖入牆內閥體。

Instaiiation Steps For :

以下步驟適用於產品編號：

6777-X3-81CP、6777-X3-90CP



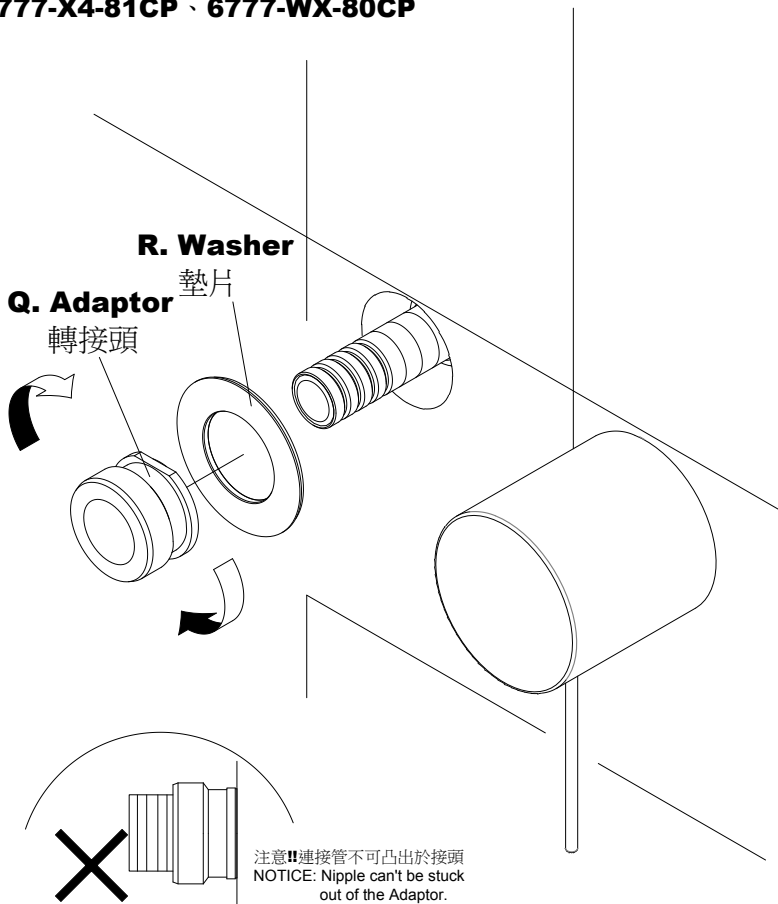
* Screw the **Outlet** part into the **Nipple** and please mind the direction of outlet to be downward.

將出水口鎖入牙管後即可，注意出水口方向須朝下。

Installation Steps For :

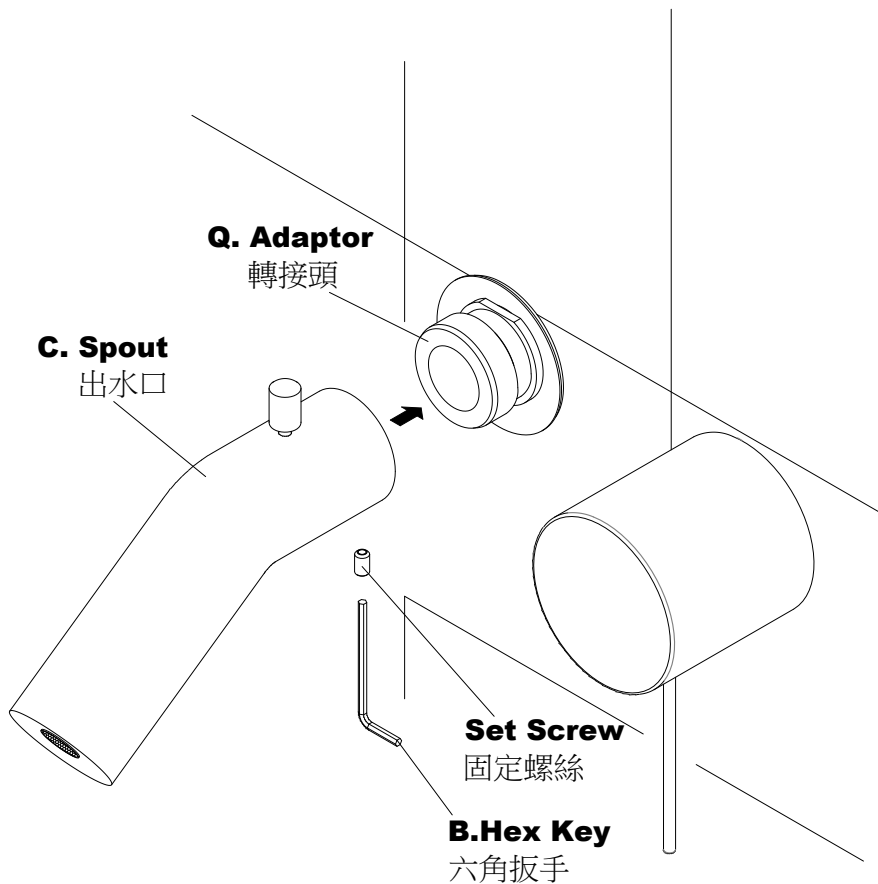
以下步驟適用於產品編號：

6777-X4-81CP、**6777-WX-80CP**



- * Apply the pipe compound or thread sealant tape to both ends of the **Nipple**, screw the **Nipple** into the outlet of valve. Face the **Washer's** foam side to the finished wall, and then screw the **Adaptor** against the wall.

將墊片的泡棉面朝牆放置連接管底部，再將連接管的外牙塗上牙管膠或包覆止洩帶，將接頭鎖上連接管，鎖緊至貼緊牆面。



* Loosen the **Set Screw** of a **Spout**, fix the **Spout** to the **Adaptor**, adjust the direction, and then tighten the **Set Screw** securely with the **Hex Key** to finish the installation.

用六角扳手將出水口下方的固定螺絲拆除，然後接上接頭，並調整好位置，再利用六角扳手鎖上固定螺絲。

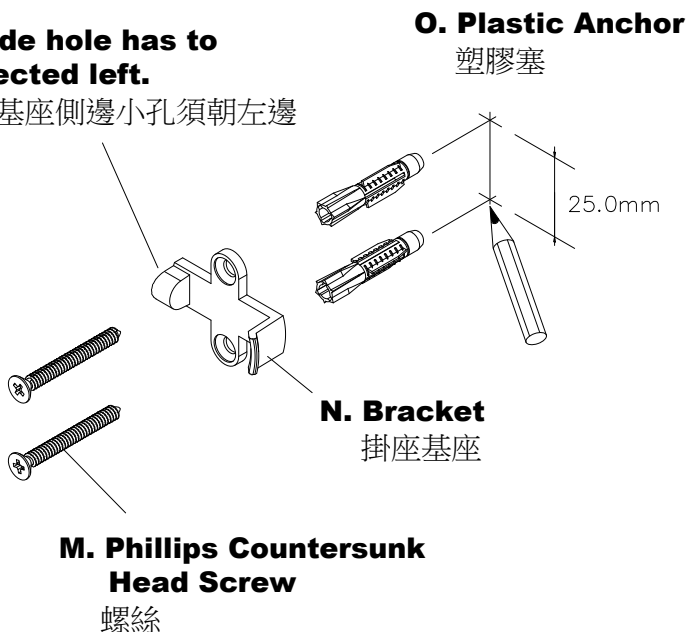
Installation Steps For :

以下步驟適用於產品編號：

6777-X3-81CP、**6777-X4-81CP**

The side hole has to be directed left.

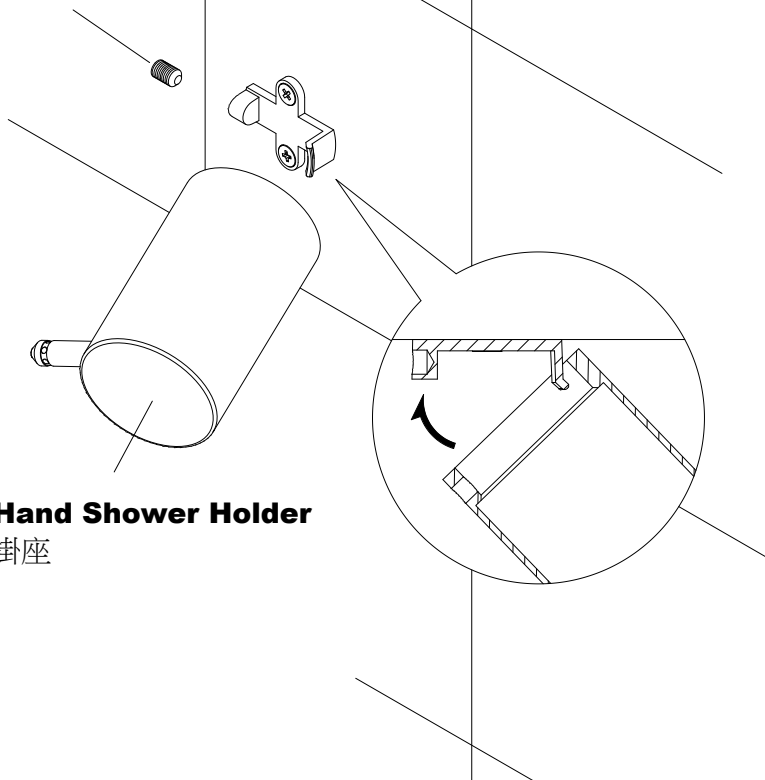
安裝時基座側邊小孔須朝左邊



- * Select the proper position for the **Hand Shower Holder**, use the **Bracket** as a template to mark the centers of mounting holes; the vertical distance of two holes is 25.0mm. Use a 6mm drill-bit and drill 4cm deep holes at the marked positions. Insert the **Plastic Anchors** to holes and then fix the **Bracket** into the wall with **Phillips Countersunk Head Screw**. Please notice the side hole of **Bracket** has to be faced to the left hand side.

選取預定安裝的位置，並在牆壁上畫上預定鑽孔記號，垂直線上間距約25.0mm。接著使用6mm的鑽頭鑽孔，深度4公分，嵌入塑膠塞並使之齊平於牆面，使用螺絲將基座固定於牆面，注意掛座側孔須朝向左邊

Set Screw
固定螺絲



K. Hand Shower Holder
掛座

* Put the **Hand Shower Holder** on the **Bracket** and fix it with the **Set Screw**.

將掛座朝著基座的側邊傾斜套入，套入後再鎖入螺絲固定。

L. Hand Shower

手持花灑

Gasket

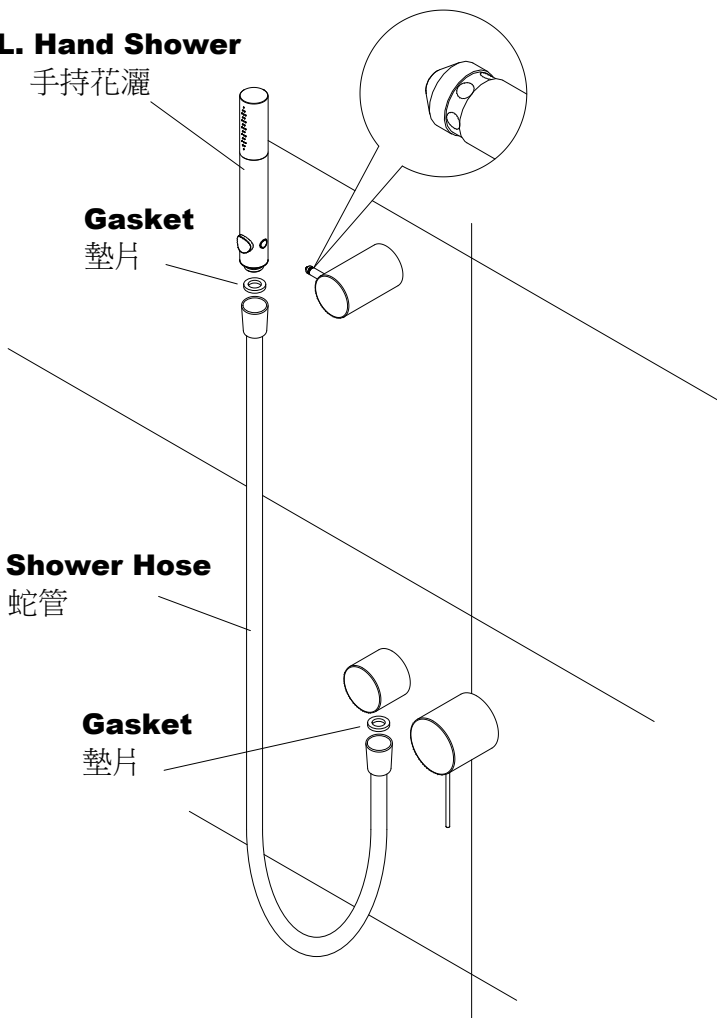
墊片

P. Shower Hose

蛇管

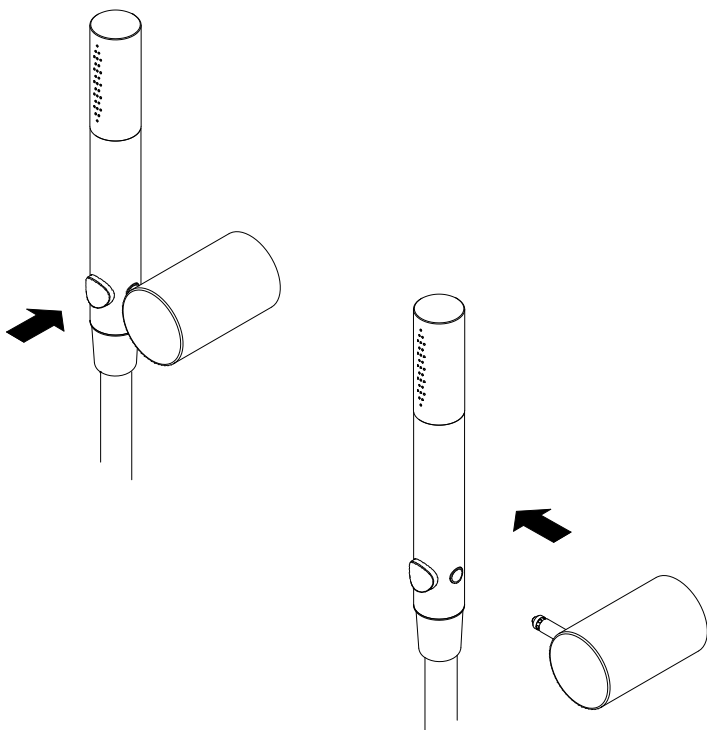
Gasket

墊片



* Connect the **Hand Shower** and **Outlet** with the **Shower Hose** and **Gaskets**. Put the **Hand Shower** to the pin of **Hand Shower Holder**, and it will be fixed with different angles by the small holes of a pin.

使用蛇管與墊片連接手持花灑與出水口。將花灑側邊小孔插入掛勾桿，卡住掛勾桿的小孔即可固定。前後擺動可調整出水角度。



* Press the button and release the **Hand Shower**.

按住按鈕即可取下花灑。

WARRANTY

Sheng Tai Brassware Co., Ltd. offer a three-year warranty on all of the Faucets & Bathroom Accessories from date of purchasing. The warranty covers any defect in material and workmanship during normal residential use. The following conditions of defect are charged for maintaining.

- Damage caused by accident, misuse, improper care and cleaning.
- Improper using or installation.
- Defects because of the external factors, such as erodent environment (ex. Seashore or mineral spring.), animal bites or dead body remains in product etc.
- Defect because of sand or impurity stuck in faucet water way.
- Using water not adhered to the regulations of national standard.
- Deficiency caused by freeze.
- Not showing this warranty card.
- Not filling out in the blank of name of customer, date of purchase, cost of purchase, company of installation (retail store) and stamp on warranty card.
- Sheng Tai Co., Ltd. is not responsible for labor charges, installation, or other incidental or consequential costs.

勝泰衛材股份有限公司提供所有的水龍頭及浴室配件，從購買之日起三年保固。保固範圍包括在一般住宅正常使用的期間，發現產品有任何材質和加工上的瑕疵。如瑕疵有下列情形，將收取維修費用。

- 因意外事故、不當操作使用，不當的保養維護和清洗所造成的損害。
- 不當使用或安裝。
- 外在因素造成產品的瑕疵，如易造成侵蝕的環境（如濱海或溫泉地區）、動物嚙咬或屍體存在於產品內造成的損壞。
- 因砂子或雜質卡住水龍頭水路造成的損壞。
- 沒有依循國家標準的規定使用水源造成的損壞。
- 因冰凍造成的水量不足。
- 未出示此保固卡。
- 未在空白處填寫客戶名稱，購買日期，購買成本，安裝公司（零售商店），及保證卡上未蓋章。
- 勝泰衛材股份有限公司不負責工人費用，安裝，或其他附帶或間接產生的費用。

Customer	Name		Tel	
	Address			
Product	Serial No.		Name	
	Warranty	Three year from date of purchase.		
Purchase place	Store		Tel	
	Address			
Purchase Date				
Purchase Price				

JUSTIME
www.justime.com

SHENG TAI BRASSWARE CO., LTD.

No.99 Sec.3 Chang Tsao Rd. Ho Me, Chang Hua, Taiwan

508 台灣彰化縣和美鎮彰草路3段99號

TEL: +886-4-7629971~4

FAX: +886-4-7526980

E-mail: shengtai@ms10.hinet.net

Facebook: www.facebook.com/JUSTIME