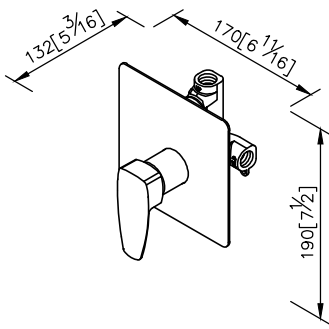


Concealed Mixer Valve W/Check Valve 6779-XP-80CP



unit: mm[inch]

1. The electrodeposited coatings have meet SC2 standard of ASTM. Products would have superior antioxidant abilities, long-term durability, and bright surfaces.
2. G1/2 inlet.
3. With replaceable check valve both behind hot and cold water 1/2" inlet. The valve can prevent counterflow, and make a high-level safety.
4. Handle can be moved up to 25° to adjust water flow rate from closed position, hot and cold water controlled by swinging handle for 45° both right and left sides.
5. The burying depth of embedded body is between 2"(6cm)Min~3"(7.6cm)Max from the finished wall.

