

Single-Handle Concealed Valve 6779-XV-80CP

INTRODUCTION:

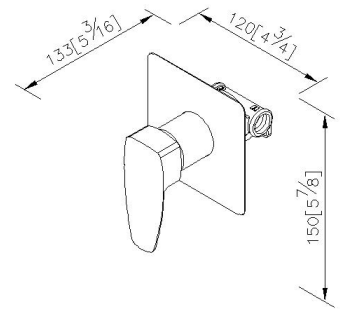
Design Team created the Pan 2 Faucets with concise style, and integrated rectangular and circular lines into the shape design to fit for different basins easily and provide users various choices. Though it has just used the most basic geometric elements, the design team also varied the faucets to be special and bring the positive benefit for bathroom.

"Pan-," a combining form meaning "all." We are eager to hope all users would have chances to experience our high-quality products, and it could start from this Pan Series which has perfect harmony with various basins and bathroom designs.



DESCRIPTION:

- 1.Ceramic valve with CERAMTEC ceramic disc / (Germany)
- 2.The mixing valve could be installed in the cemented and wood wall.
- 3.G1/2 inlet.
- 4.The faucet should be used at the water pressure from 1 to 6 kg/cm².
- 5.Chrome plated finish meets the standard of ASTM-SC2.
- 6.Material of handle meets JIS 3771 standard.
- 7.Material of faceplate is stainless steel SUS 304.
- 8.Handle can be moved up to 22° to adjust water flow from closed position; hot and cold water controlled by swinging handle for 45° both right and left sides.
- 9.Past 500,000 times lifespan test.



unit: mm[inch]

Certification:

Fixing Kits:

- 1.Hex Key 2.5mm*1
- Set Screw*1

AWARD: