

## Concealed Mixer Valve W/Diverter & Check Valve 6779-XY-80CP

### INTRODUCTION:

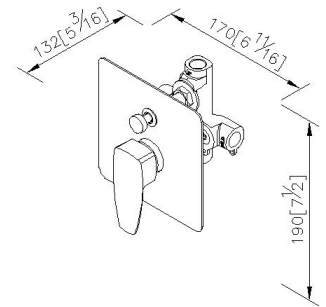
Design Team created the Pan 2 Faucets with concise style, and integrated rectangular and circular lines into the shape design to fit for different basins easily and provide users various choices. Though it has just used the most basic geometric elements, the design team also varied the faucets to be special and bring the positive benefit for bathroom.

"Pan-," a combining form meaning "all." We are eager to hope all users would have chances to experience our high-quality products, and it could start from this Pan Series which has perfect harmony with various basins and bathroom designs.



### DESCRIPTION:

- 1.The electrodeposited coatings have meet SC2 standard of ASTM. Products would have superior antioxidant abilities, long-term durability, and bright surfaces.
- 2.G1/2 inlet.
- 3.With replaceable check valve both behind hot and cold water 1/2" inlet. The valve can prevent counterflow, and make a high-level safety.
- 4.The faucet should be used at the water pressure from 4 to 6 kg/cm<sup>2</sup>.
- 5.Handle can be moved up to 25° to adjust water flow rate from closed position, hot and cold water controlled by swinging handle for 45° both right and left sides.
- 6.The burying depth of embedded body is between 2"(6cm)Min~3"(7.6cm)Max from the finished wall.



unit: mm [inch]

### Certification:

### Fixing Kits:

- 1.SUS 304 Stainless Steel Screws\*1
- Hex Key 2.0mm\*1
- Hex Key 2.5mm\*1
- Set Screw\*1
- Key Tool\*1

### AWARD:

