

## Through-Glass Robe Hook 6804-5G-81SS

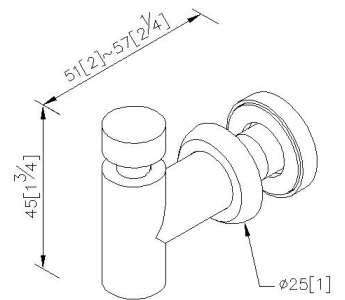
### INTRODUCTION:

The main base was designed with an extended cone shape. The lovely appearance displays the charming flavor.



### DESCRIPTION:

- 1.High Quality Brass.
- 2.Premium metal construction for durability.
- 3.Justime finishes resist corrosion and tarnish.
- 4.Finish meets the standard of ASTM-SC2.
- 5.The cone plinth of the bathroom accessories could increase the elegance for environment.
- 6.Finished: Brushed Nickel with Lacquer, which it's not easy to leave fingerprints on the surface.
- 7.Correctly installed product's loading is 5 kgf.
- 8.The robe hook is especially designed for the glass, it could provide the steadier when using.



unit: mm[inch]

### Certification:

### Fixing Kits:

- 1.N/A

### AWARD: