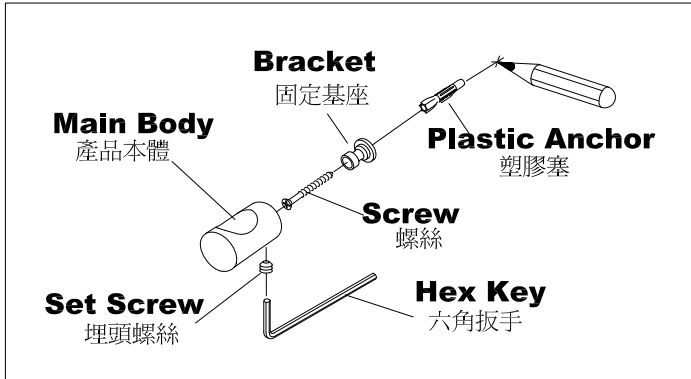


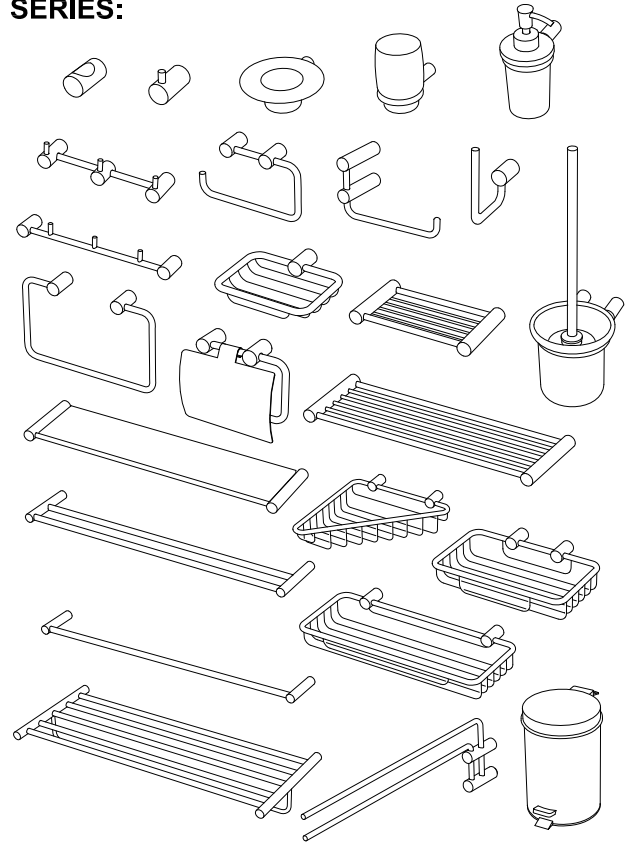
INSTALLATION INSTRUCTIONS

6807(6806) 安裝說明

1. Select proper position for product and mark center of mounting hole on wall. For double **Bracket** fixing, mark centers of mounting holes by using a spirit level and refer to the actual product for distance between hole centers. 選取預定安裝的位置,在牆壁畫上鑽孔記號,如要安裝雙背板基座的產品,請先確認鑽孔的位置在同一水平線上,並以產品比對確認鑽孔的距離。
2. Using a 6mm drill-bit, drill the hole(s) in marked position(s) to a depth of 4cm. Insert the **Plastic Anchor(s)** to the hole(s) on the wall, put the **Screw(s)** through the **Bracket(s)**, then screw into the **Plastic Anchor(s)**. 當安裝在水泥牆,使用1/4英寸鑽頭,鑽孔深度4公分,填入塑膠塞並使之齊平於牆面,將固定基座以螺絲鎖緊在牆上。
3. Use the **Hex Key** to loosen the **Set Screw** in the **Main Body**. Slide the **Main Body** over the **Bracket** and tighten **Set Screw** ensuring the orientation of the **Main Body** is correct. 用隨附六角扳手先鬆開本體下方的埋頭螺絲,使本體能順利套進固定基座後,再鎖緊下方的埋頭螺絲,完成安裝程序。



6807(806)
SERIES:



JUSTIME | 巧時代 | ST SHENG TAI BRASSWARE CO., LTD.

www.justime.com

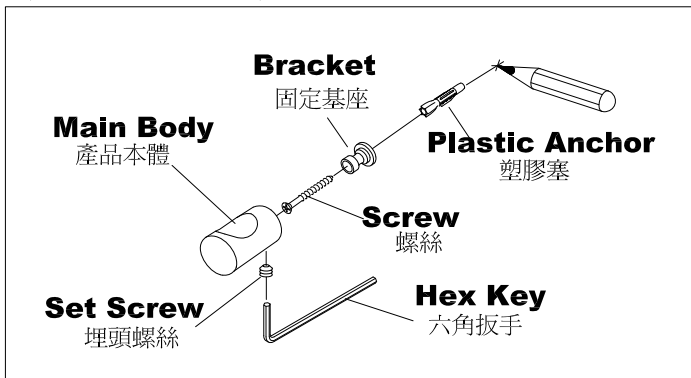
000 | 180612

PU68-07-ST00
MADE IN TAIWAN

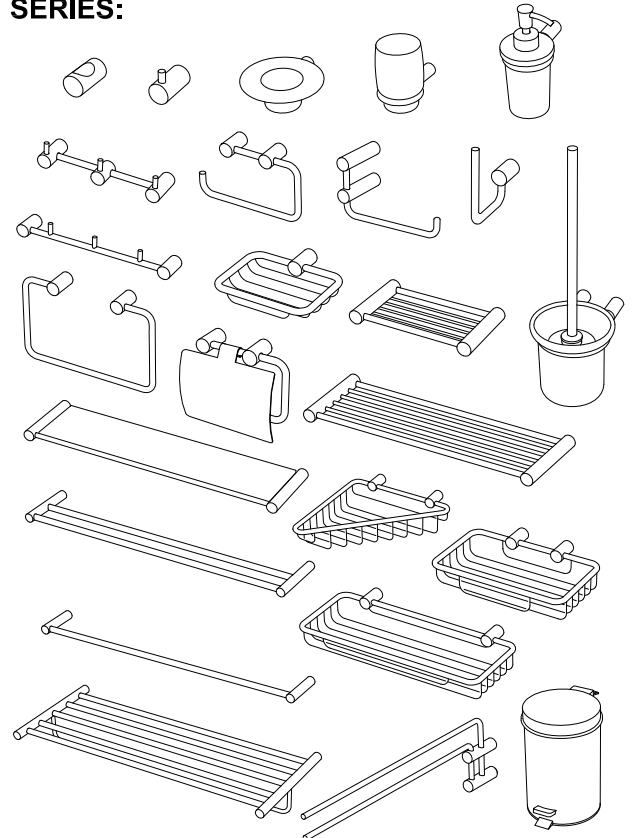
INSTALLATION INSTRUCTIONS

6807(6806) 安裝說明

1. Select proper position for product and mark center of mounting hole on wall. For double **Bracket** fixing, mark centers of mounting holes by using a spirit level and refer to the actual product for distance between hole centers. 選取預定安裝的位置,在牆壁畫上鑽孔記號,如要安裝雙背板基座的產品,請先確認鑽孔的位置在同一水平線上,並以產品比對確認鑽孔的距離。
2. Using a 6mm drill-bit, drill the hole(s) in marked position(s) to a depth of 4cm. Insert the **Plastic Anchor(s)** to the hole(s) on the wall, put the **Screw(s)** through the **Bracket(s)**, then screw into the **Plastic Anchor(s)**. 當安裝在水泥牆,使用1/4英寸鑽頭,鑽孔深度4公分,填入塑膠塞並使之齊平於牆面,將固定基座以螺絲鎖緊在牆上。
3. Use the **Hex Key** to loosen the **Set Screw** in the **Main Body**. Slide the **Main Body** over the **Bracket** and tighten **Set Screw** ensuring the orientation of the **Main Body** is correct. 用隨附六角扳手先鬆開本體下方的埋頭螺絲,使本體能順利套進固定基座後,再鎖緊下方的埋頭螺絲,完成安裝程序。



6807(806)
SERIES:



JUSTIME | 巧時代 | ST SHENG TAI BRASSWARE CO., LTD.

www.justime.com

000 | 180612

PU68-07-ST00
MADE IN TAIWAN