

Simple

Toilet Tissue Holder 6810-40-80CP

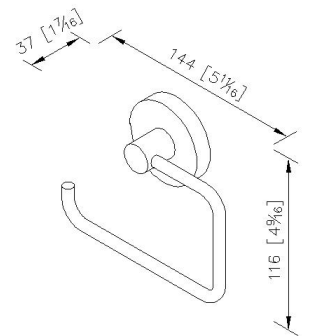
INTRODUCTION:

Due to the simple design choices, it is easy to collocate in different environments.



DESCRIPTION:

- 1.Brass of forging body meets JIS 3771 standard
- 2.Premium metal construction for durability
- 3.Justime finishes resist corrosion and tarnish
- 4.Finish meets the standard of ASTM-SC2.
- 5.The simply design concept could be collocated with diverse space
- 6.Correctly installed product's loading is 5 kg f
- 7.Spare tissue holder is suitable at public space. It can create the convenient to user and keep the environment neat
- 8.Coordinates with other products in 6810 collection



unit:mm[inch]

Certifictaion:

Fixing Kits:

- 1.SUS 304 Stainless Steel Screws *2
- Hex Key2.0mm *1
Plastic Anchors *2
Material of Wall Mount Bracket: Stainless Steel (SUS 304) *1

AWARD: