

Toilet Brush Holder 6810-81-80CP

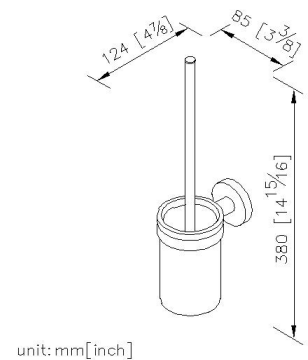
INTRODUCTION:

Due to the simple design choices, it is easy to collocate in different environments.



DESCRIPTION:

- 1.Brass of forging body meets JIS 3771 standard
- 2.Premium metal construction for durability
- 3.Justime finishes resist corrosion and tarnish
- 4.Finish meets the standard of ASTM-SC2.
- 5.The simply design concept could be collocated with diverse space
- 6.Correctly installed product's loading is 2 kg f
- 7.Frosted glass brush holder
- 8.Standard size of brush, it is easy to replace and keep environment clean.
- 9.Coordinates with other products in 6810 collection



Certifictaion:

Fixing Kits:

- 1.SUS 304 Stainless Steel Screws *2
- Hex Key2.0mm *1
Plastic Anchors *2
Material of Wall Mount Bracket: Stainless Steel (SUS 304) *1

AWARD: