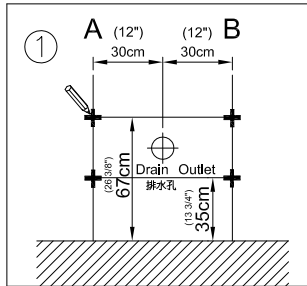


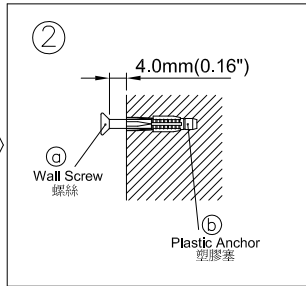
INSTALLATION GUIDE

BASIN TABLE(4 Legs) 枱面組安裝說明



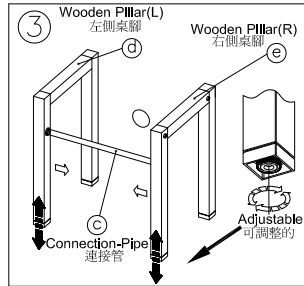
Mark two(2) vertical lines A & B both sides 30cm(12") from the center of drain outlet, and meantime mark four(4) drill hole centers as shown in figure ①

用鉛筆在距離牆上排水孔左右各30公分處，畫上垂直線。同時如圖示的適當位置畫上十字作為鎖上螺絲的記號。

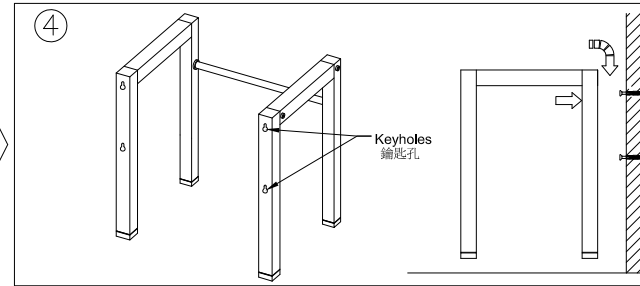


Using A6mm bit, drill screw holes in the positions marked to A depth of 45mm and insert **Plastic Anchor** flush with wall. Do not completely tighten **Wall Screws**. Leave 4mm(0.16") space between screw head and wall, adjust if necessary.

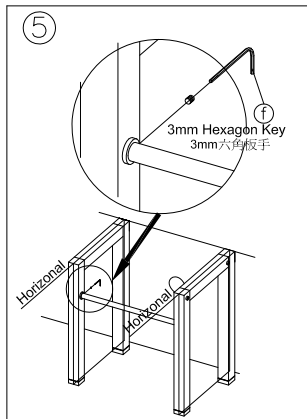
當安裝在水泥牆，使用6mm鑽頭，鑽孔深度4.5公分，填入塑膠塞並使之齊平於牆面，再以螺絲鎖在牆壁上。不要將螺絲全部鎖緊，螺絲頭與牆面須留4mm的距離，以便安裝桌腳。



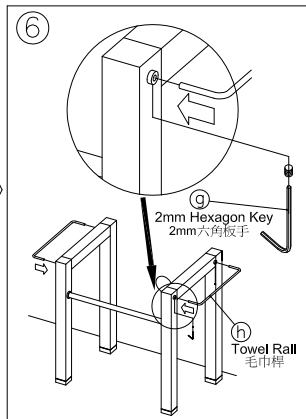
Adjust and level both wooden pillars to the same height, then join **Connection-Pipe** with **Wooden Pillars**; remain adjustable for the time being. 調整桌腳下方的調整器，使兩支桌腳高度相同，再將左、右側桌腳與連接管組合，須保持暫時可調整的狀態。



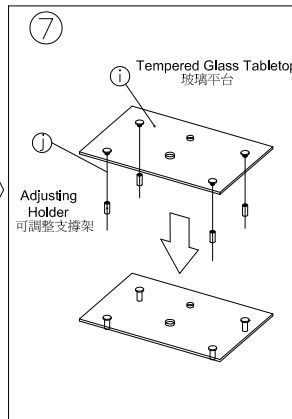
Insert four(4) wall screw heads into keyholes on both **Wooden Pillars** and press downward. Be sure the **Wooden Pillars** are flush tight to wall. 將左、右腳架後方的鑰匙孔嵌進突出牆上的螺絲頭，並且向下按壓，確認桌腳是否卡緊。



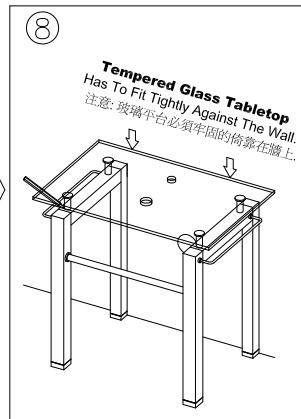
Make sure the two pillars are vertical to the floor, then complete tighten the **Connection-Pipe** BY 3mm Hexagon Key. 確認兩桌腳必須垂直於地面，並用3mm六角板手完全地鎖緊連接管。



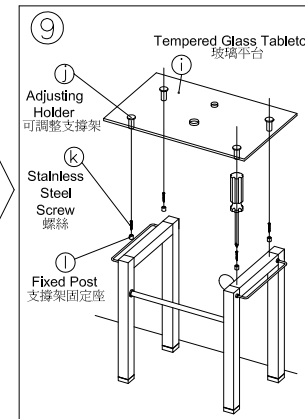
Fix **Towel Rail** by 2mm Hexagon Key. Screw **Adjusting Holders** on **Tempered Plate Glass**. 在桌腳兩側裝上毛巾桿，並用2mm六角板手完全地鎖緊螺絲，以固定毛巾桿。



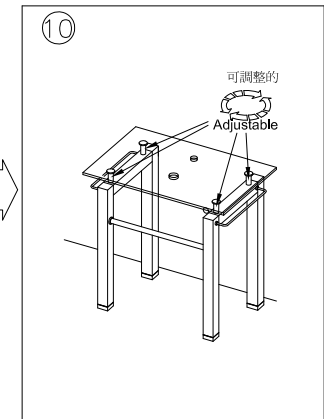
Screw **Adjusting Holders** on **Tempered Plate Glass**. 在玻璃平台上鎖上四個可調整支撐架。



Put **Tempered Plate Glass** in place on appropriate position, mark on the **Wooden Pillar** the positions of **Adjusting Holder**. **Note:** **Tempered Plate Glass** has to fit tightly against the wall. 注意：玻璃平台必須牢固的倚靠在牆上。



Screw **Fixed Posts** flush on **Wooden Pillars** in positions; locate **Adjusting Holders** onto **Fixed Posts**. 先將支撐架固定座置放在桌腳上圖形記號上，再以不銹鋼短螺絲把支撐架固定座鎖緊，並將玻璃平台與可調整支撐架套入支撐架固定座中。



Level **Tempered Plate Glass** by twisting **Adjusting Holders**. 旋轉在桌腳上方的可調整支撐架，並調整桌面水平，即完成檯面組裝。

FIXING CONTENTS

組配件內容

Ⓐ Wall Screw X4 螺絲 Ø0.7cmX4.5cm	Ⓒ Connection-Pipe X1 連接管 Ø2.5cmX57cm	Ⓔ Wooden Pillar(R) X1 右側桌腳 50cmX59cm	Ⓖ 2mm Hexagon Key X1 2mm六角板手 2.0mmHEXx5.4cm	Ⓘ Tempered Glass Tabletop X1 玻璃平台 52cmX80cm	Ⓚ Stainless Steel Screw X4 不銹鋼短螺絲 Ø0.8cmX1.8cm	Ⓜ Spare Socket Set Screw X6 埋頭螺絲 1/4-20 X2 M4-0.7 X4
Ⓑ Plastic Anchor X4 塑膠塞 Ø0.6cmX3.5cm	Ⓓ Wooden Pillar(L) X1 左側桌腳 50cmX59cm	Ⓕ 3mm Hexagon Key X1 3mm六角板手 3.0mmHEXx5.4cm	Ⓗ Towel Rail X2 毛巾桿 Ø0.8cmX40cm	Ⓝ Adjusting Holder X4 可調整支撐架 Ø2.5cmX5.6cm	Ⓛ Fixed Post X4 支撐架固定座 Ø1.9cmX1.8cm	