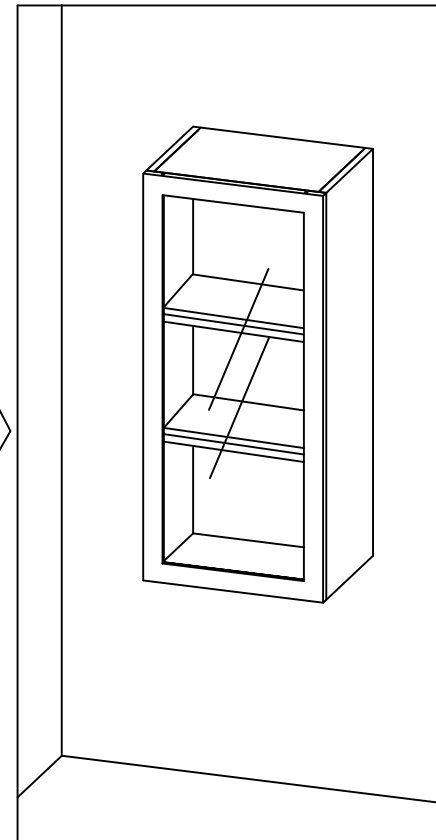
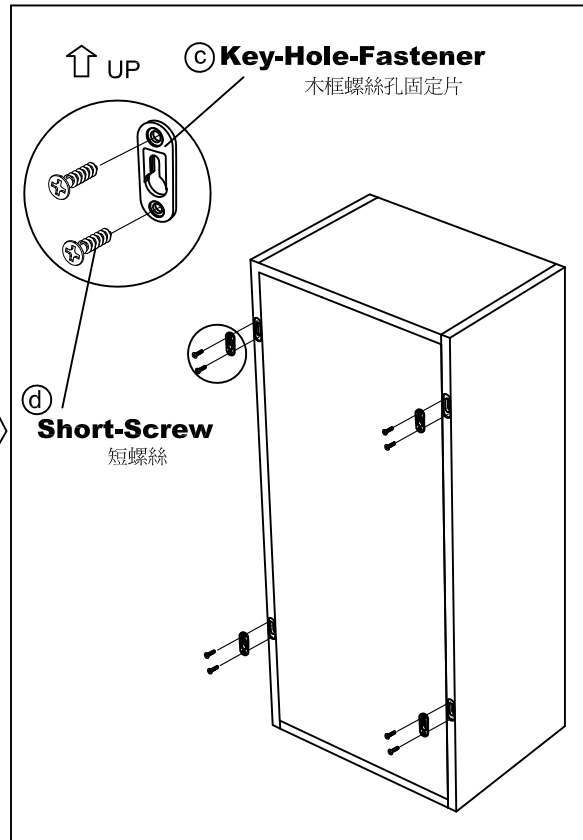
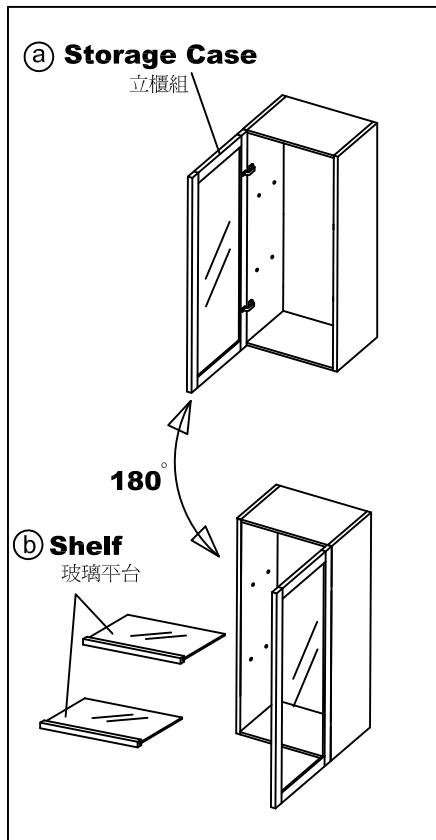


# INSTALLATION GUIDE

## WALL-MOUNT CABINET

## 壁式浴櫃組安裝說明



1. Do not install **Shelves** before mounting the **Storage Case** to the wall.

在安裝浴櫃前, 不能先放入平台玻璃。

2. The **Storage Case** may be flipped to allow the door to open from the right or left. Determine and flip the **Storage Case** to the direction you want.

此浴櫃組能夠翻轉, 供選擇要左開浴櫃門或右開浴櫃門。

3. Secure **Key-Hole-Fasteners** on the backside of **Storage Case** with **Short-Screws** as figure shown before mounting the **Storage Case** to the wall.

將木框螺絲孔固定片套進浴櫃裡, 用短螺絲鎖上固定, 在浴櫃組內裝上2塊玻璃平台, 即完成安裝程序。

## FIXING CONTENTS

組配件內容

