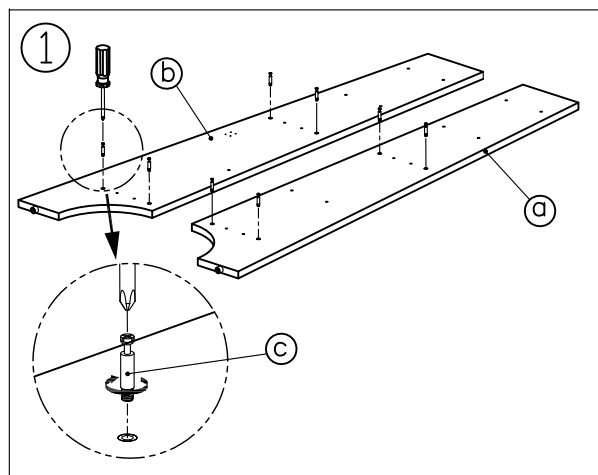
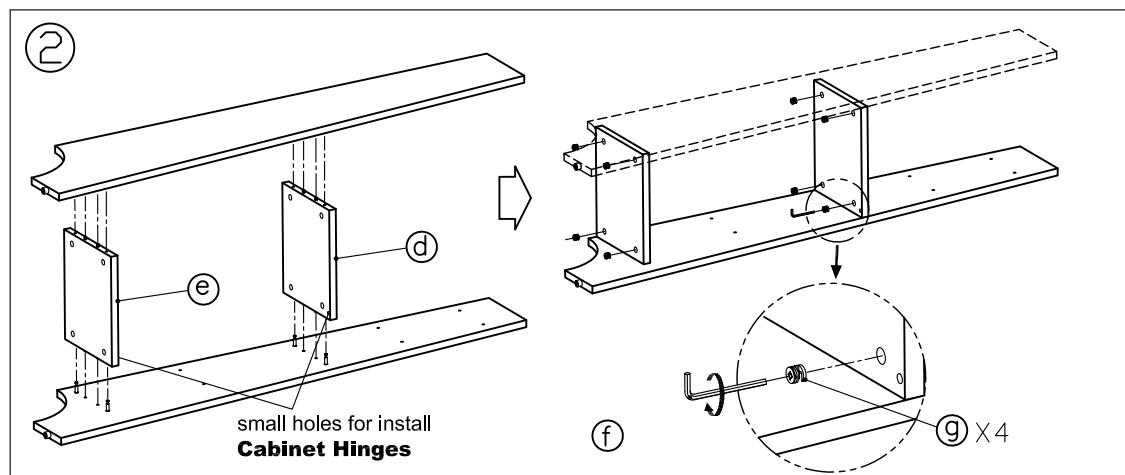


# INSTALLATION GUIDE

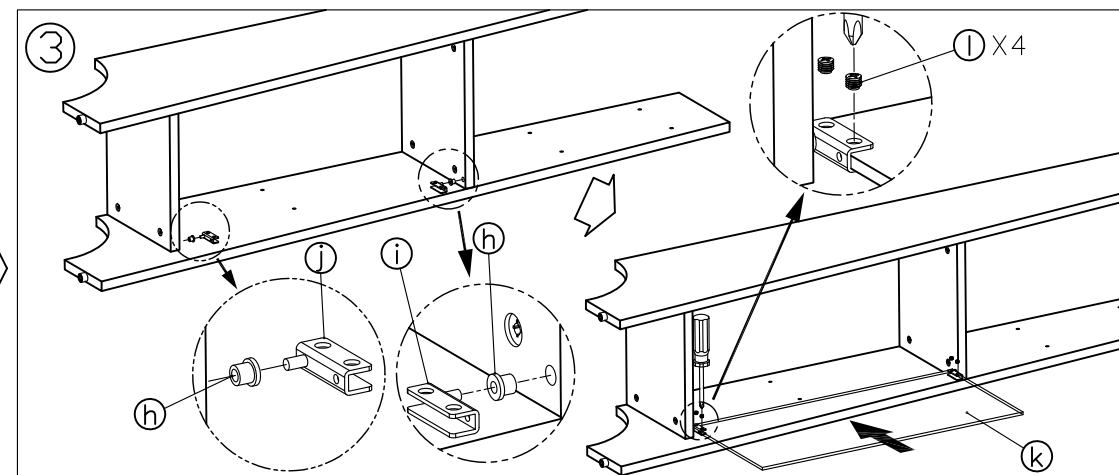
## CABINET



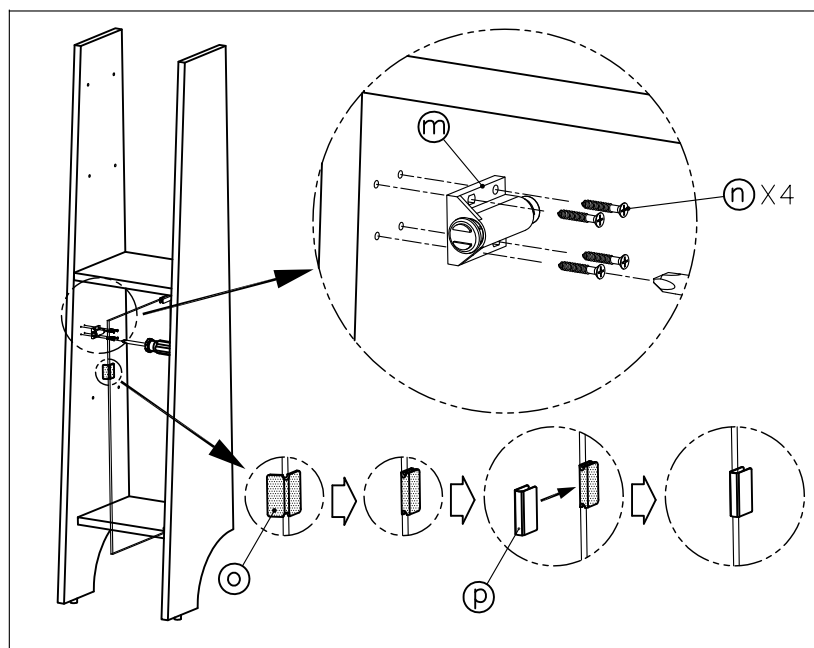
Screw and secure 4 **Pins** firmly into white plastic anchor on **Wooden Side-Board(R)** as shown in figure 1. Act ditto on **Wooden Side-Board(L)**.



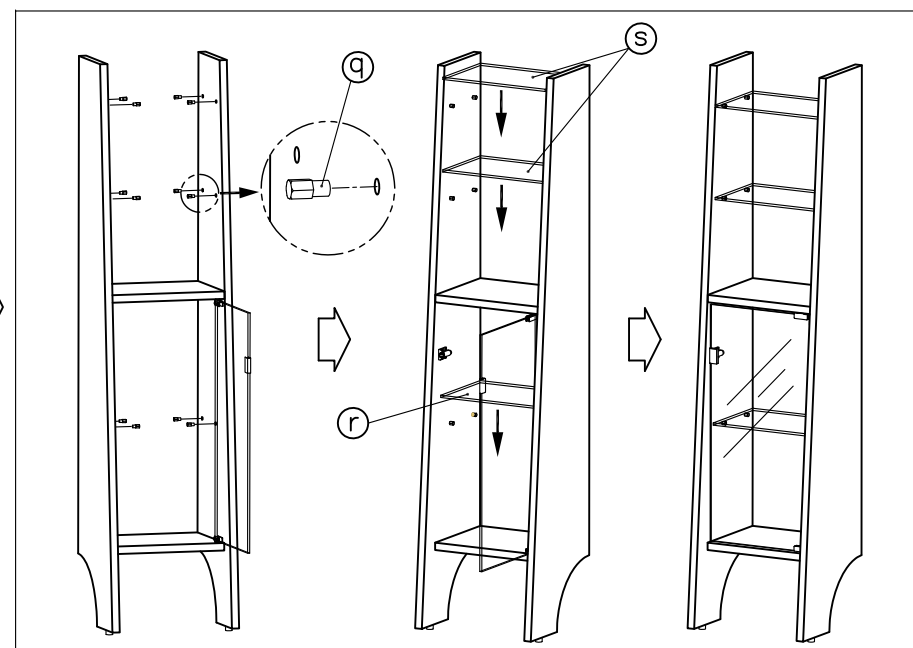
Insert the **Pins** into side of both **Upper Wooden Shelf** and **Lower Wooden Shelf**, in the meantime, press and join the two pieces of **Wooden Shelves** and **Wooden Side-Boards** together with tenon, then insert **Cams** into underside-holes of both **Upper Wooden Shelf** and **Lower Wooden Shelf**, rotate **Cams** clockwise and tighten them with attached **Hexagon Key**. Be sure the two (2) small holes on **Wooden Shelves** which for install **Cabinet Hinges** are opposite on right-side of the front as shown in figure 2.



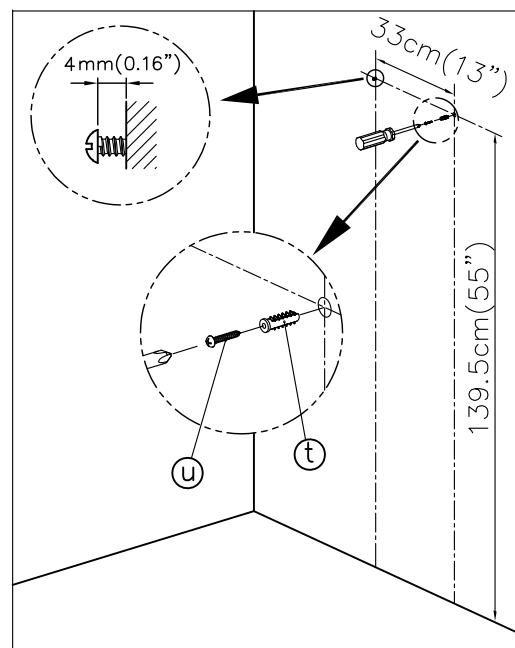
Install **Cabinet Hinges** and **Glass Door** as shown in figure 3, screw **Glass door** on appropriate position and tighten securely.



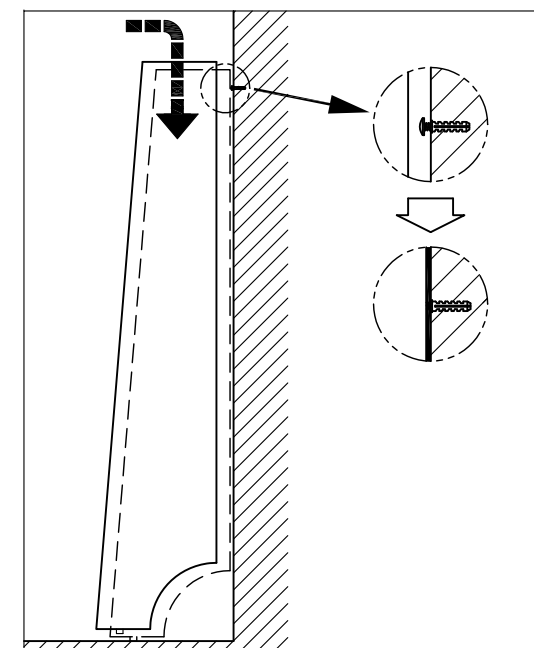
**Fix Cabinet Stopper** with 4 **Fixed Screws** onto pre-drill holes, then stick **PE Foam-Tape** as relative height as **Cabinet Stopper**, and meantime clamp **Clip** onto **PE Foam-Tape** in position as shown in figure 4.



Insert 12 **Shelf Supporters** into **Wooden Side-Board (R) & (L)** holes, then install **Thick Glass Shelves** (a thickness of 6mm) on upper two stories and install **Thin Glass Shelf** on lower story as shown in figure 5.



Mark two (2) vertical lines 33 cm (13") wide on appropriate position, and meantime mark two (2) drill hole centers as shown in figure 6. Using a 6mm bit, drill screw holes in the positions marked to a depth of 45mm and insert **Plastic Anchors** flush with wall. Do not completely tighten **Wall Screws**, leave 4mm (0.16") space between screw head and wall, adjust if necessary.



Insert Two (2) wall screw heads into keyholes on rear of both **Wooden Boards (R) & (L)** and press downward, be sure the cabinet is flush and tighten to wall.

## FIXING CONTENTS

Ⓐ <b>Wooden Side-Board(R)</b> X1	Ⓒ <b>Pin</b> X8	Ⓔ <b>Lower Wooden Shelf</b> X1	Ⓕ <b>Cam</b> X8	Ⓙ <b>Upper Cabinet Hinges</b> X1	Ⓚ <b>Glass Door</b> X1	Ⓜ <b>Cabinet Stopper</b> X1	ⓐ <b>PE Foam-Tape</b> X1	Ⓡ <b>Shelf Supporter</b> X12	Ⓢ <b>Thick Glass Shelves</b> X2 玻璃平台(6mm)	Ⓤ <b>Wall Screw</b> X2 螺絲 27mm(L)
Ⓑ <b>Wooden Side-Board(L)</b> X1	Ⓓ <b>Upper Wooden Shelf</b> X1	Ⓖ <b>Hexagon Key</b> X1	Ⓗ <b>Hinge Sleeve</b> X2	Ⓛ <b>Lower Cabinet Hinges</b> X1	Ⓛ <b>Hinge Setscrew</b> X4	Ⓝ <b>Fixed Screw</b> X4 (15mm)	ⓑ <b>Clip</b> X1	Ⓡ <b>Thin Glass Shelf</b> X1 玻璃平台(5mm)	Ⓣ <b>Plastic Anchor</b> X2 塑膠塞	