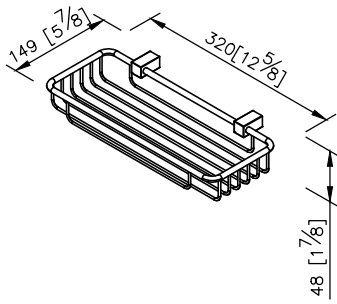


Basket
6817-85-80CP



- 1.Brass of sand-casting body meets JIS 3604 standard
- 2.Premium metal construction for durability
- 3.Justime finishes resist corrosion and tarnish
- 4.Finish meets the standard of ASTM-SC2
- 5.Correctly installed product's loading is 5 kg f
- 6.Coordinates with other products in Cubic Collection

unit: mm[inch]

