

### Toilet Tissue Holder W/Lid 6818-41-80CP

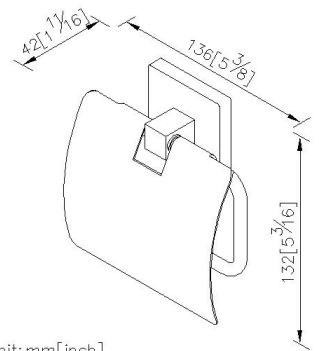
#### INTRODUCTION:

Combine the straight line with precise right angle, the square body symbolize steady, elevation and also high quality.



#### DESCRIPTION:

- 1.Brass of body meets JIS 3604 standard
- 2.Premium metal construction for durability
- 3.Justime finishes resist corrosion and tarnish
- 4.Finish meets the standard of ASTM-SC2.
- 5.The simply design concept could be collocated with diverse space
- 6.Correctly installed product's loading is 5 kg f
- 7.Spare tissue holder is suitable at public space. It can create the convenient to user and keep the environment neat
- 8.Coordinates with other products in Boulevard collection



#### Certificaion:

#### Fixing Kits:

- 1.SUS 304 Stainless Steel Screws\*2
- Plastic Anchors\*2  
Material of Wall Mount Bracket: Steel with zinc plating\*1

#### AWARD: