

Towel Bar
6860-10-81CP

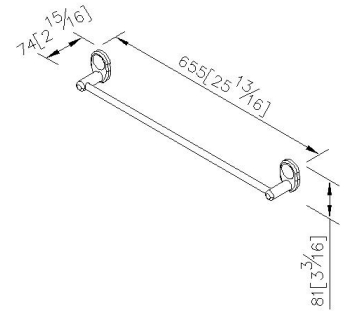
INTRODUCTION:

A compact round pebbles was formed by the long accumulation. Obtain the inspiration from the pebble, the base had been designed with simple characteristic.



DESCRIPTION:

- 1.Brass of forging body meets JIS 3771 standard.
- 2.Premium metal construction for durability.
- 3.Justime finishes resist corrosion and tarnish.
- 4.Finish meets the standard of ASTM-SC2.
- 5.The simply design concept could be collocated with diverse space.
- 6.Correctly installed product's loading is 4 kgf.
- 7.The size of towel bar: 600mm.
- 8.Coordinates with other products in 6860 collection.



unit:mm[inch]

Certificaiton:

Fixing Kits:

- 1.SUS 304 Stainless Steel Screws *4
- 2.Plastic Anchors *4



AWARD:

