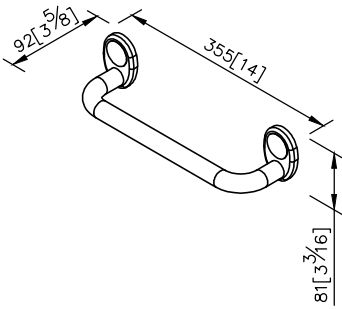


**Grab Bar**  
6860-55-81CP



- 1.Brass of forging body meets JIS 3771 standard.
- 2.Premium metal construction for durability.
- 3.Justime finishes resist corrosion and tarnish.
- 4.Finish meets the standard of ASTM-SC2.
- 5.Grab bar length 300mm.
- 6.Correctly installed product's loading is 120 kgf.
- 7.Coordinates with other products in 6860 collection.

unit: mm[inch]

