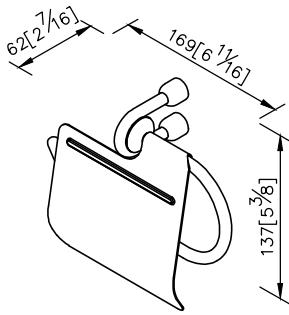
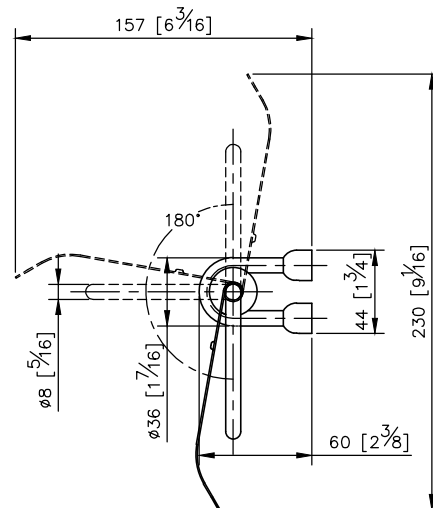
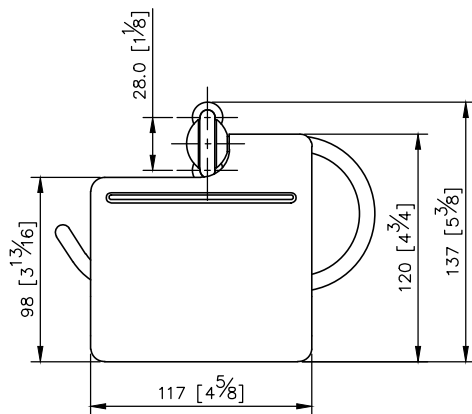
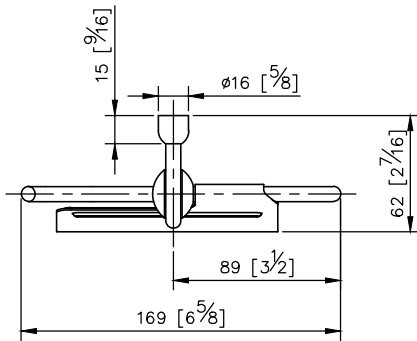


Toilet Tissue Holder W/Lid
6861-41-80CP



- 1.Brass meets JIS 3604 standard.
- 2.Premium metal construction for durability.
- 3.Justime finishes resist corrosion and tarnish.
- 4.Finish meets the standard of ASTM-SC2.
- 5.Correctly installed product's loading is 5 kgf.
- 6.Coordinates with other products in 6861 collection.

unit: mm[inch]



Mounting Template Specification

