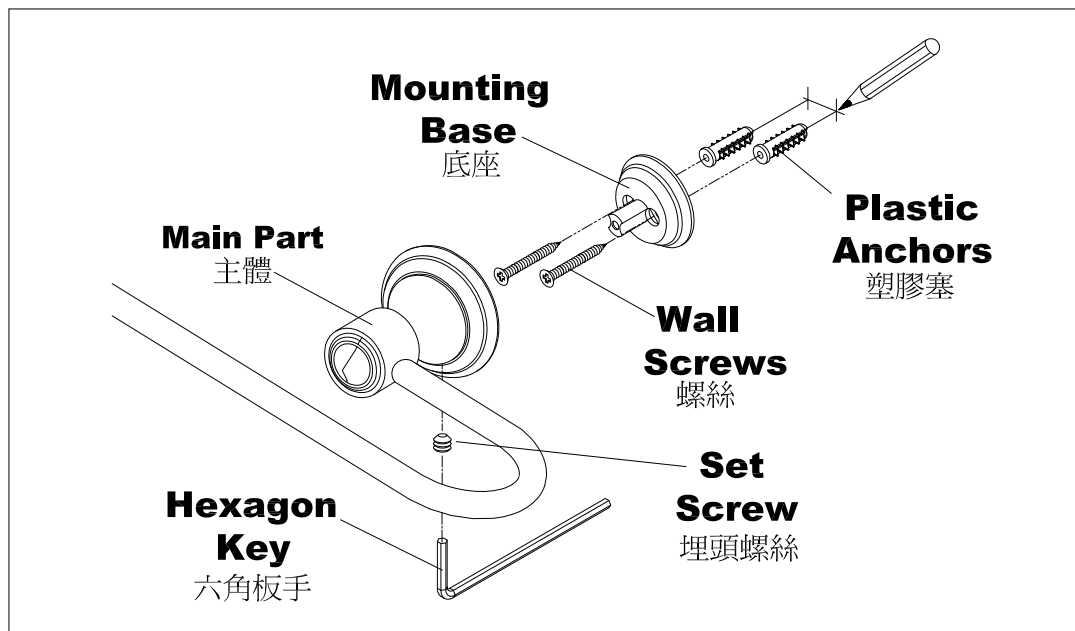


MOUNTING INSTRUCTIONS

6865 安裝說明

- 1.) Loosen the **Set Screw** and disassemble the components for installation.
用隨附的六角板手將埋頭螺絲鬆開, 使主體與底座分離。
- 2.) Use **Mounting Base** as template to locate appropriate drilling centers with pencil.
用底座為樣板用鉛筆點繪出要鑽孔的位置。
- 3.) Drill holes in your marked locations, when mounting on drywall, insert **Plastic Anchors**.
水泥牆在鑽孔後須使用隨附的塑膠塞。
- 4.) Attach **Mounting Base** to wall with **Wall Screws**.
將底座鎖在牆上, 並確認已完全固定。
- 5.) Press the **Main Part** tightly over the center stem showing on **Mounting Base** and secure with **Hexagon Key**.
套上主體, 再用六角板手將埋頭螺絲鎖緊, 完成安裝程序。



6865 SERIES:

