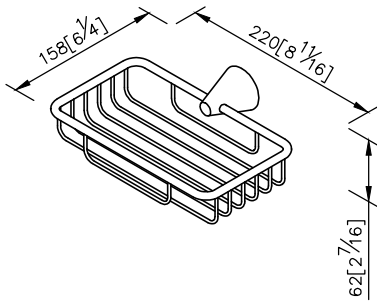


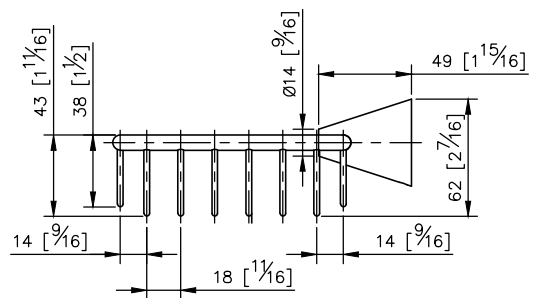
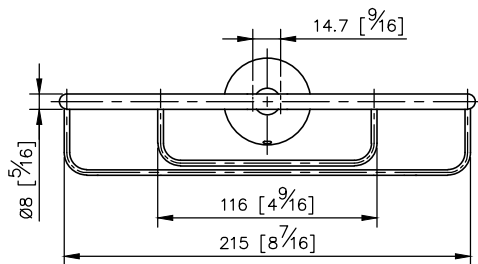
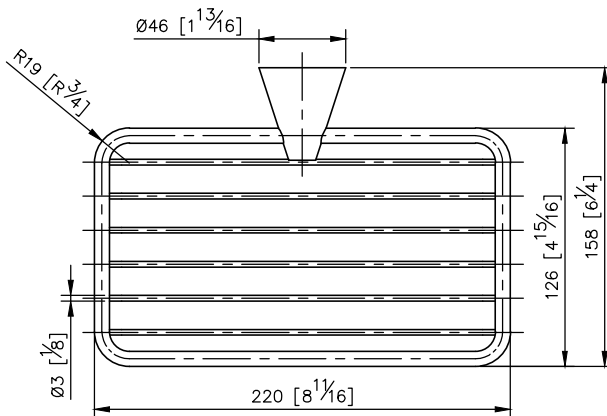
Basket

6874-86-80CP



- 1.Brass forging mounting faceplate meets JIS 3771 standard.
- 2.Premium metal construction is with durability.
- 3.Justime finishes resist corrosion and tarnish.
- 4.Chrome plated finish meets the standard of ASTM-SC2.
- 5.Brass basket dimension 220*126*43mm.
- 6.Vertical force could support a static load of 5 Kgf.
- 7.Coordinates with other products in 6874 collection.

unit: mm[inch]



Mounting Template Specification

