

Yes

Sprayer
6875-9Q-81CP

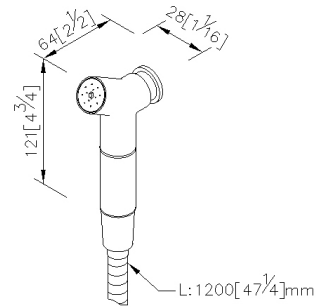
INTRODUCTION:

The special design concept is from the letter "Y" and combines with the practical function. Unique style is the product characteristic. Push valve can control the water volume and improve the convenient operation. The simple style decorates the environment to be more beautiful and comfortable, which is suitable for sanitary or outdoor spaces.



DESCRIPTION:

- 1.Sprayer main body is made of brass forging process, meets the standard of JIS 3771.
- 2.Push valve can control the water volume.
- 3.Chrome plated finish meets the standard of ASTM-SC2.
- 4.Justime finishes resist corrosion and tarnish.
- 5.The sprayer can bear the pressure from 0.1 to 5 kg/cm².
- 6.Stainless steel braided hose with SANTOPRENE tube (meets NSF approval) can bear 10Kg/cm² water pressure and 120°C heat.
- 7.Coordinates with other products in 6875 collection.



unit: mm[inch]

Certification:

Fixing Kits:

N/A

AWARD:



GOOD DESIGN
AWARD 2015
2015年度グッドデザイン賞