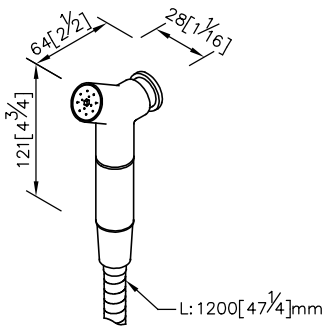


Sprayer 6875-9Q-81CP



unit: mm[inch]

1. Sprayer main body is made of brass forging process, meets the standard of JIS 3771.
2. Push valve can control the water volume.
3. Chrome plated finish meets the standard of ASTM-SC2.
4. Justime finishes resist corrosion and tarnish.
5. The sprayer can bear the pressure from 0.1 to 5 kg/cm².
6. Stainless steel braided hose with SANTOPRENE tube (meets NSF approval) can bear 10Kg/cm² water pressure and 120°C heat.
7. Coordinates with other products in 6875 collection.

