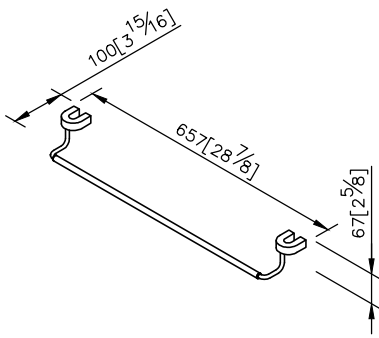


Towel Bar
6881-10-80CP

1. Brass mounting base and towel bar meet JIS 3604 standard.
2. Justime finishes resist corrosion and tarnish.
3. Chrome plated finish meets the standard of ASTM-SC2.
4. Towel bar length 600mm.
5. Vertical force could support a static load of 4 Kgf.
6. Coordinates with other products in 6881 collection.



unit: mm[inch]

