

U style

Toilet Tissue Holder W/Lid 6881-41-80CP

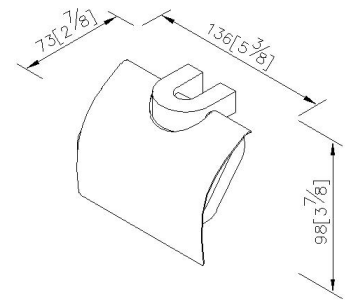
INTRODUCTION:

The symmetrical "U" shape displays not only the beauty of equilibrium and uniformity from Middle Ages, but elegance.



DESCRIPTION:

- 1.Brass mounting base and supporting ring meet JIS 3604 standard.
- 2.Justime finishes resist corrosion and tarnish.
- 3.Chrome plated finish meets the standard of ASTM-SC2.
- 4.Top lid material with stainless steel.
- 5.Vertical force could support a static load of 5 Kgf.
- 6.The U-shaped pedestal of the bathroom accessories could increase the elegance for the environment.
- 7.Coordinates with other products in 6881 collection.



unit: mm[inch]

Certificaion:

Fixing Kits:

- 1.Hex Key 1/8"*1
- Parts1:(Screw*2:Plastic Anchors*2)

AWARD: