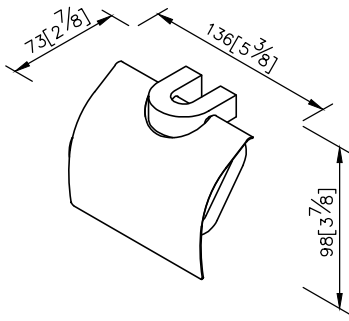
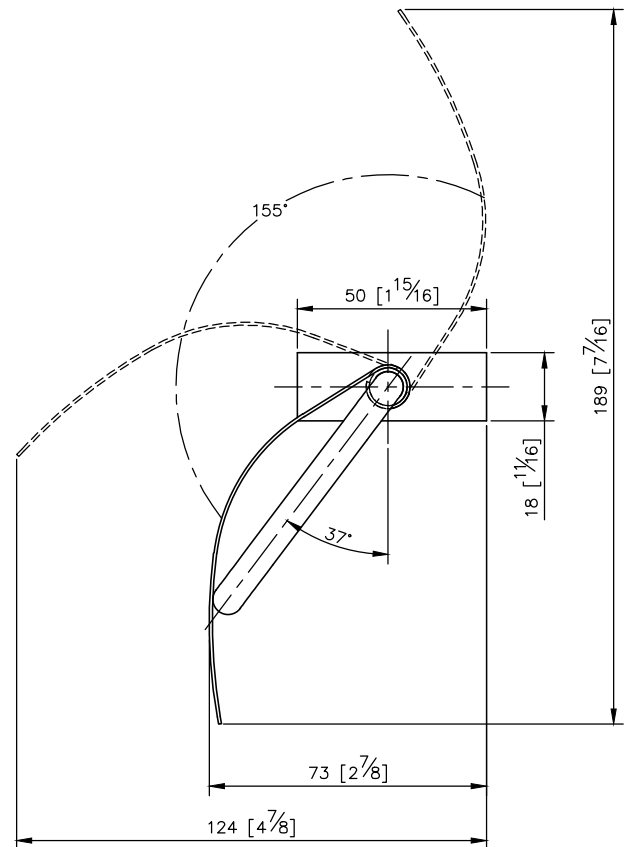
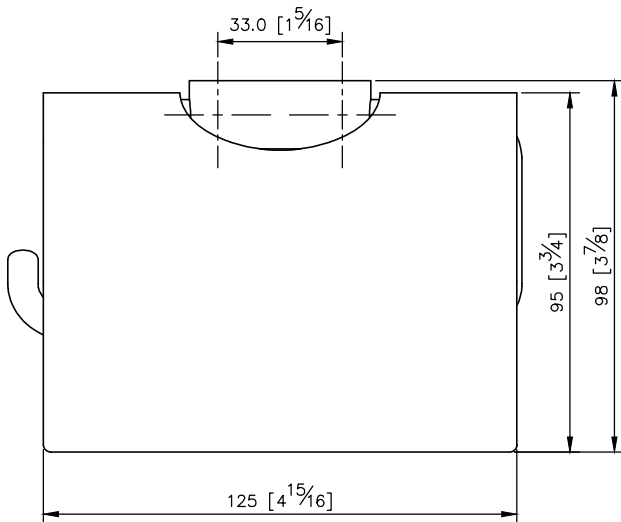
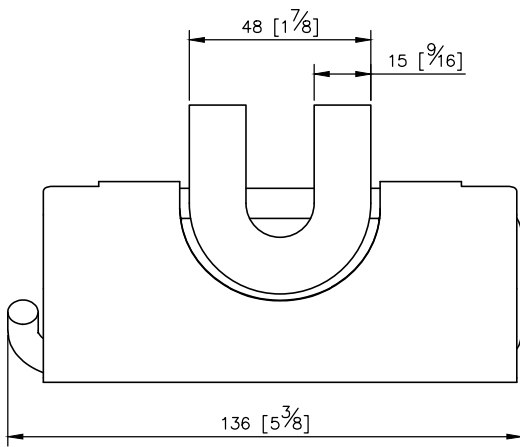


**Toilet Tissue Holder W/Lid**  
**6881-41-80CP**



1. Brass mounting base and supporting ring meet JIS 3604 standard.
2. Justime finishes resist corrosion and tarnish.
3. Chrome plated finish meets the standard of ASTM-SC2.
4. Top lid material with stainless steel.
5. Vertical force could support a static load of 5 Kgf.
6. The U-shaped pedestal of the bathroom accessories could increase the elegance for the environment.
7. Coordinates with other products in 6881 collection.

unit: mm[inch]



**Mounting Template Specification**

