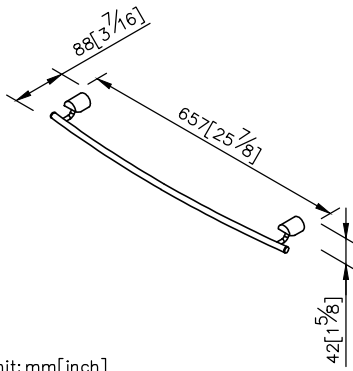


Towel Bar
6892-10-80CP

- 1.Brass forging mounting base meets JIS 3771 standard.
- 2.Brass body meets JIS 3604 standard.
- 3.Brass towel bar meets JIS C2700 standard.
- 4.Chrome plated finish meets the standard of ASTM-SC2.
- 5.Vertical force could support a static load of 4 Kgf.
- 6.The size of towel bar: 600mm.
- 7.Coordinates with other products in 6892 collection.



unit: mm[inch]

