

Toilet Tissue Holder
6893-40-80SS

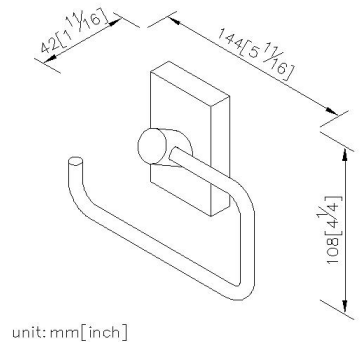
INTRODUCTION:

Incepted imitation of traditional brick for the main shape, the precise section and brushed surface display elegant demeanor.



DESCRIPTION:

- 1.Brass forging faceplate meets JIS 3771 standard.
- 2.Brass bracket material meets JIS 3604 standard.
- 3.Toilet tissue holder ring with stainless steel meets SUS 304 standard.
- 4.Toilet tissue holder ring is with brushed finish, which is easy to maintain with a scouring pad.
- 5.Vertical force could support a static load of 5 Kgf.
- 6.The brick type faceplate of the bathroom accessories increases the elegance for the environment.
- 7.Coordinates with other products in 6893 collection.



Certification:

Fixing Kits:

- 1.SUS 304 Stainless Steel Screws*2
- Plastic Anchors*2
Material of Wall Mount Bracket: Steel with zinc plating*1

AWARD: