

Double Towel Bar 6899-14-80S1

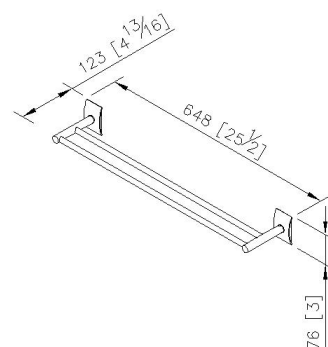
INTRODUCTION:

The simple curve base has designed with the brushed finish to display the beauty of fashion.



DESCRIPTION:

1. Stainless Steel faceplate and towel bar meets SUS 304 standard.
2. Plastic mounting base with brass core.
3. Premium metal construction for durability.
4. Justime finishes resist corrosion and tarnish.
5. Finish meets the standard of ASTM-SC2.
6. Correctly installed product loading is 4 kgf.
7. The size of towel bar: 600mm.
8. Coordinates with other products in 6899 collection.



unit: mm[inch]

Certification:

Fixing Kits:

1. SUS 304 Stainless Steel Screws*4
- Hex Key 2.5mm*1
Plastic Anchors*4

AWARD: