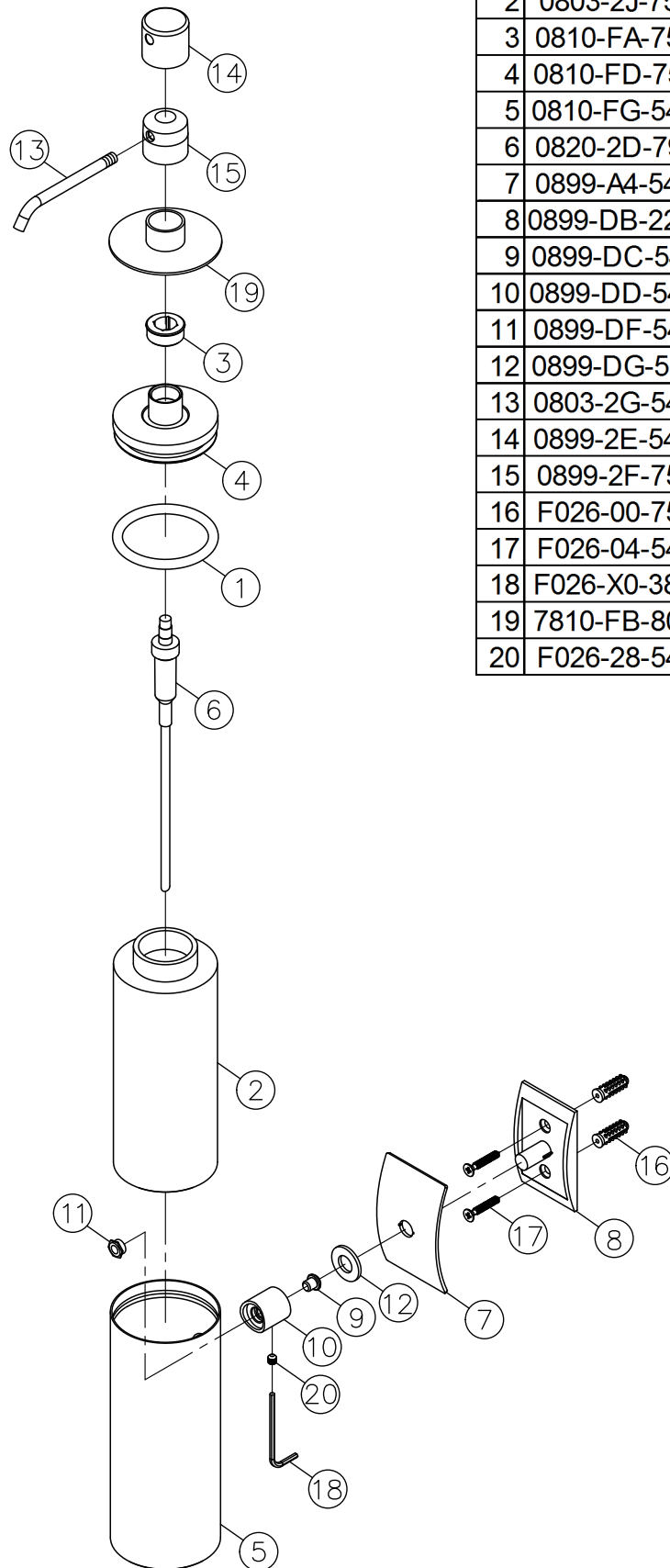


Wall-Mounted Soap Dispenser

6899-28-80S1



NO	Part NO.	Part Name	QTY
1	0502-C2-5100	O-ring	1
2	0803-2J-7500	Bottle	1
3	0810-FA-7500	Adaptor	1
4	0810-FD-7500	Fixing Adaptor	1
5	0810-FG-54S1	Outer Lining	1
6	0820-2D-7900	Soap Pump	1
7	0899-A4-54S1	Faceplate	1
8	0899-DB-22CB	Fixing Bracket	1
9	0899-DC-5400	Screw	1
10	0899-DD-54S1	Support	1
11	0899-DF-5400	Hex Nut	1
12	0899-DG-5100	Gasket	1
13	0803-2G-54S1	Spout Tube	1
14	0899-2E-54S1	Pump Head Cover	1
15	0899-2F-7500	Pump Head	1
16	F026-00-7500	Plastic Anchor	2
17	F026-04-5400	Screw	2
18	F026-X0-38ZP	Hex Key	1
19	7810-FB-80S1	Cover	1
20	F026-28-5400	Set Screw	1