

**Toilet Tissue Holder W/Lid**  
**6899-41-80S1**

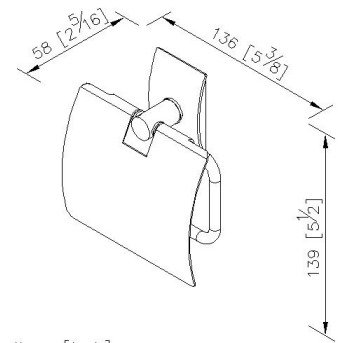
**INTRODUCTION:**

The simple curve base has designed with the brushed finish to display the beauty of fashion.



**DESCRIPTION:**

1. Plastic mounting base with brass core.
2. Stainless Steel ring and faceplate meets SUS 304 standard.
3. Top lid material is stainless steel.
4. Justime finishes resist corrosion and tarnish.
5. Finish meets the standard of ASTM-SC2.
6. The simple design concept could be collocated with diverse space.
7. Correctly installed product loading is 5 Kgf.
8. Coordinates with other products in 6899 collection.



unit: mm[inch]

**Certification:**

**Fixing Kits:**

1. SUS 304 Stainless Steel Screws\*2
- Hex Key 2.5mm\*1  
Plastic Anchors\*2

**AWARD:**