

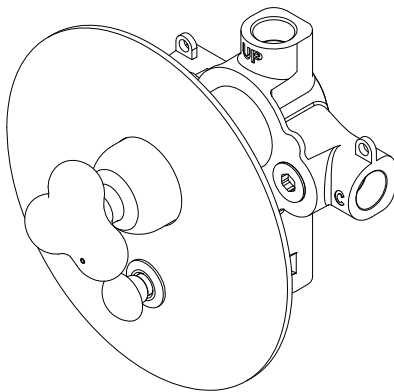
## INSTALLATION INSTRUCTIONS

### Rotary Concealed Mixing Valve

壁式單把雙控閥體安裝說明

### Applicable Product Number:

適用產品型號:



6903-XW-80CW

# CARE & CLEANING

## 清潔與保養

**CAUTION : This product might be damaged by improper installation, acid cleaning solution, misuse, improper care and cleaning.**

1. Always follow the provided INSTALLATION INSTRUCTIONS and use extreme care while installing.
2. Do not use acid cleaning solution or abrasive cleaner (Ex: Hydrochloric acid or toothpaste); test your cleaning solution on an inconspicuous area before applying to the entire surface.
3. Wipe surfaces clean and rinse completely with water immediately after applying cleaner. Do not soak with cleaners. Rinse and dry any overspray that lands on nearby surfaces.
4. Use a dampened sponge or cloth to clean surface. (Do not use abrasive material such as brush or scouring pad. )

注意：此產品有可能因為不當安裝，誤用酸性清潔劑或清潔方式不正確而造成產品受損。

1. 產品安裝時必須依照產品所附的安裝說明和操作方式安裝。
2. 不可使用含有酸性或具研磨效果的清潔劑清洗（例如：鹽酸、牙膏），請先在產品較不顯眼的地方測試您的清潔方法，然後再應用到整個表面。
3. 產品塗佈清潔劑後，應立即擦拭除污，用清水沖洗，並擦乾產品和檯面。切勿讓清潔劑在產品表面浸濕潤漬過久。
4. 請使用濕海綿或乾淨棉布擦拭產品表面。（不可使用會刮傷或具研磨材質的刷子及鋼刷）。

# FIXING CONTENTS

## 組配件內容

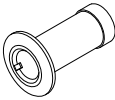
### A. Valve Body X 1 (with Sealing Cover)

牆壁內本體(含保護套筒)



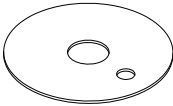
### C. Connector X 1

接頭



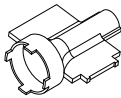
### E. Faceplate X 1

面板



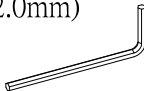
### G. JUSTIME TOOL X 1

固定鑰匙



### I. Hex Key (2.0mm) X 1

六角扳手 (2.0mm)



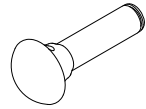
### K. Spare M3 Set Screw X 1

內六角螺絲M3(備用)



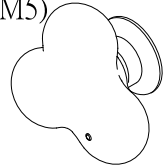
### B. Diverter Knob X 1 (with M3 set screw)

拉桿頭(附內六角螺絲M3)



### D. Handle X 1 (with M5 set screw)

把手(附內六角螺絲M5)



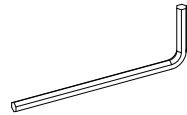
### F. C-ring X 2 (Used if Water Pressure <math><1\text{kgf/cm}^2</math>)

C型環(水壓低於 $1\text{kgf/cm}^2$ )使用



### H. Hex Key (2.5mm) X 1

六角扳手 (2.5mm)



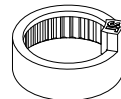
### J. Spare M5 Set Screw X 1

內六角螺絲M5(備用)



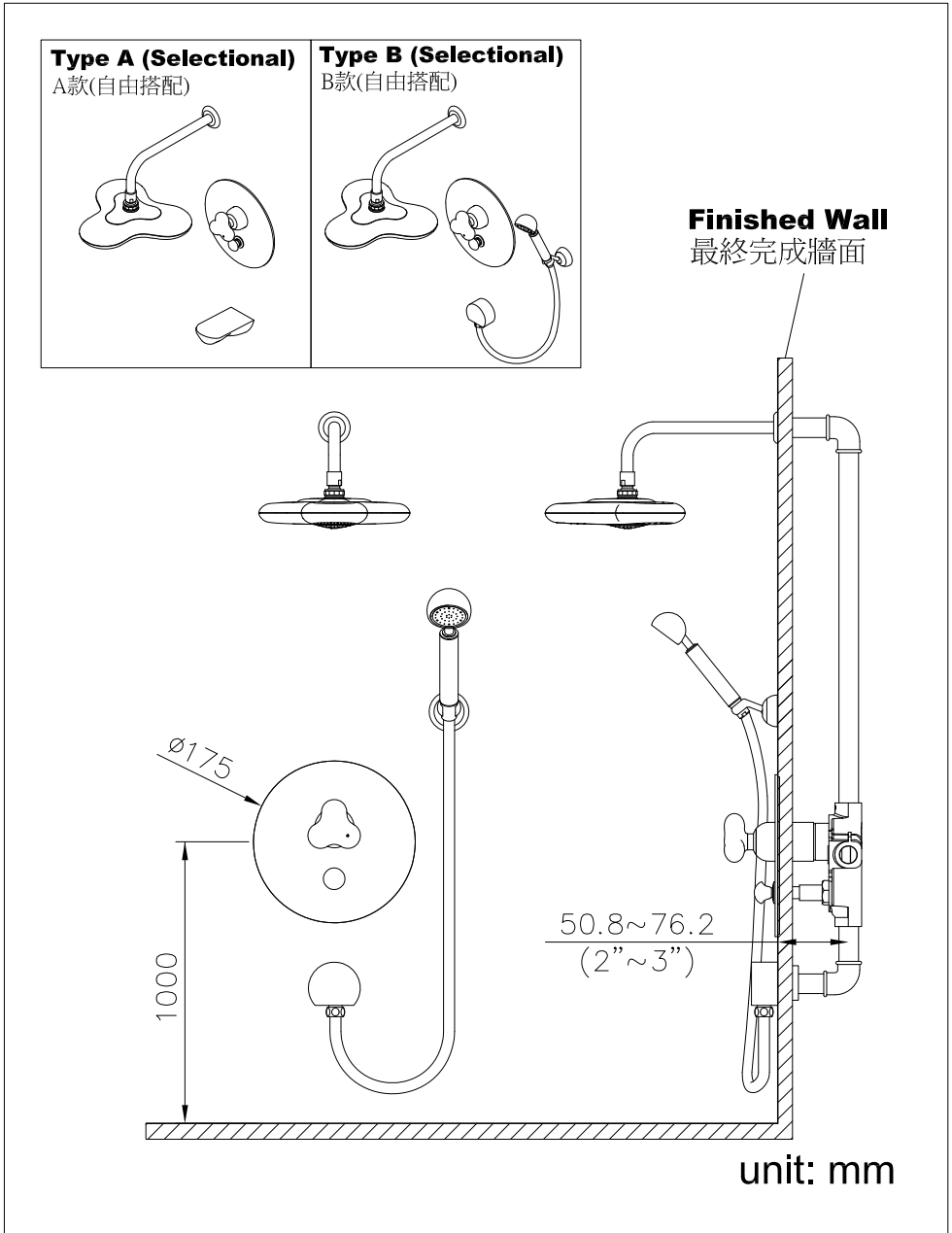
### L. Temperature Limiter X 1

限溫環



# Inside Pipe Arrangement

## 管路示意圖



# INSTALLATION NOTE

## 安裝注意事項

**⚠ CAUTION : Please read the following point carefully before Installation.**

1. Keep the **Valve Body** be horizontal and parallel to the wall that will be finished.
2. Connect hot and cold supply pipes to the valve body, and keep the distance between 2"(5cm) minmum and 3"(7.6cm) maximum from the finished wall; or keep the distance be 1.34" (3.4cm) to 2.36" (6cm) between top of cartridge and **Finished Wall** for necessary conditions.

**⚠ CAUTION : Risk of product damage.**

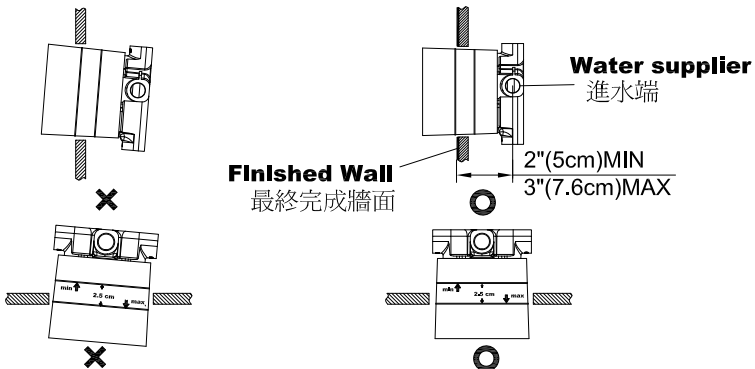
1. When finished installation, turn the valve on and run water for 1 minute to remove any debris before using.

**⚠ 注意：安裝前，請詳閱下列注意事項。**

1. 本產品安裝固定閥體於牆壁內側時，閥體需與牆壁保持平行。
2. 進水管中心與最終完成牆面的距離須保持在最小2"(5cm)到最大3"(7.6cm)之間，或陶瓷中心栓與最終完成牆面保持在最小1.34"(3.4cm)到最大2.36"(6.0cm)。

**⚠ 注意：為增加產品使用壽命，請依說明清潔供水管路。**

1. 完成安裝後，需在使用前先把供水開關全開排水持續一分鐘，去除雜質，以保持管路清潔。



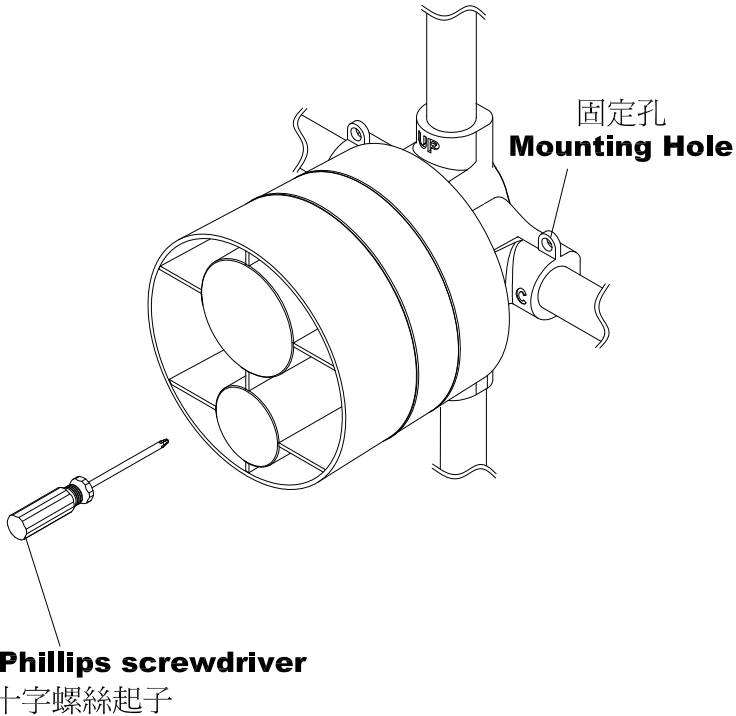
# INSTALLATION INSTRUCTIONS

## 安裝說明

1

### Check Sealing Cover Protector

檢查保護套筒



\* Use **Sealing Cover** to protect the cartridge and thread until install **faceplate & Handle**.

在安裝面板及把手前請全程使用保護套筒保護陶瓷中心栓與螺絲。

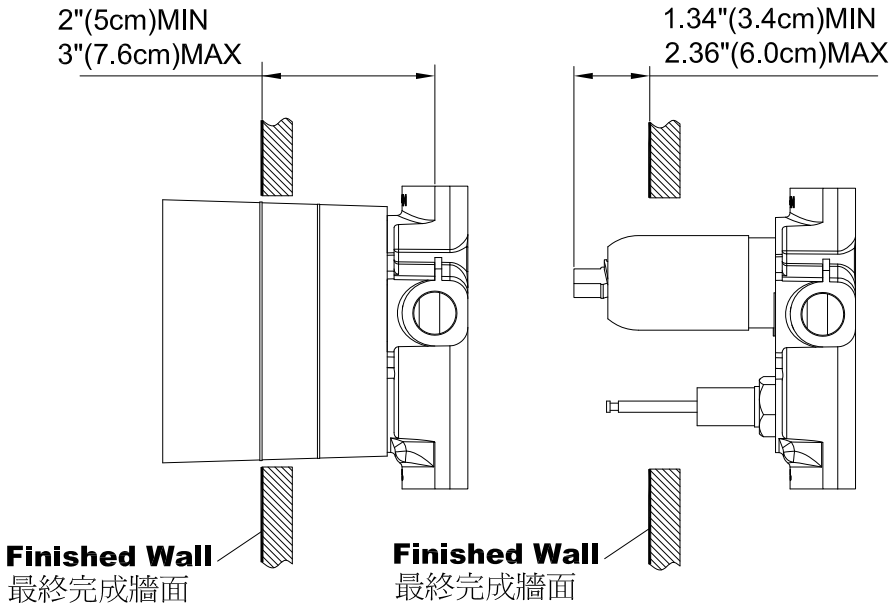
\* Use **Phillips Screwdriver** to ensure the Screws have been tightened .

使用十字螺絲起子確認螺絲是否有鎖緊。

2

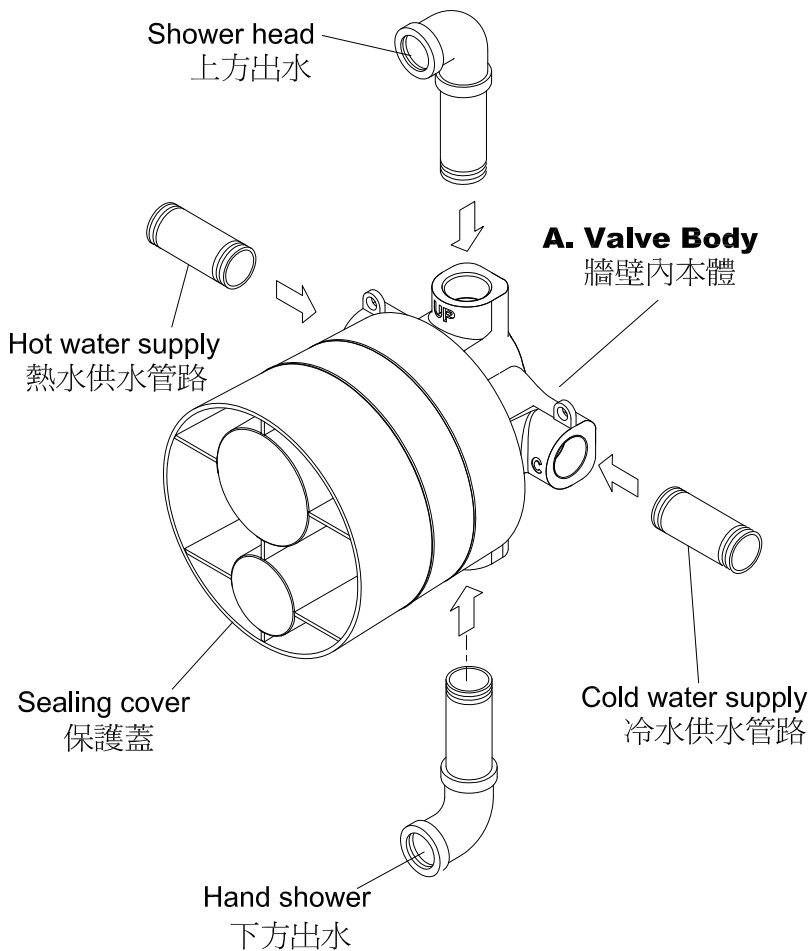
## Connect Water Pipes

連接水路



\* Connect hot and cold supplies pipes to the valve body and meantime install outlet water ways, and keep the distance between 2"(5cm) minimum and 3"(7.6cm) maximum from the finished wall; or keep the distance be 1.34"(3.4cm) to 2.36"(6.0cm) between top of cartridge and **Finished Wall** for necessary conditions.

安裝牆壁內本體時需預留的牆壁厚度，牆壁內本體與最終完成牆面的距離須保持在最小2"(5cm)到最大3"(7.6cm)之間，或陶瓷中心栓與最終完成牆面保持在最小1.34"(3.4cm)到最大2.36"(6.0cm)，此為安裝必要條件。

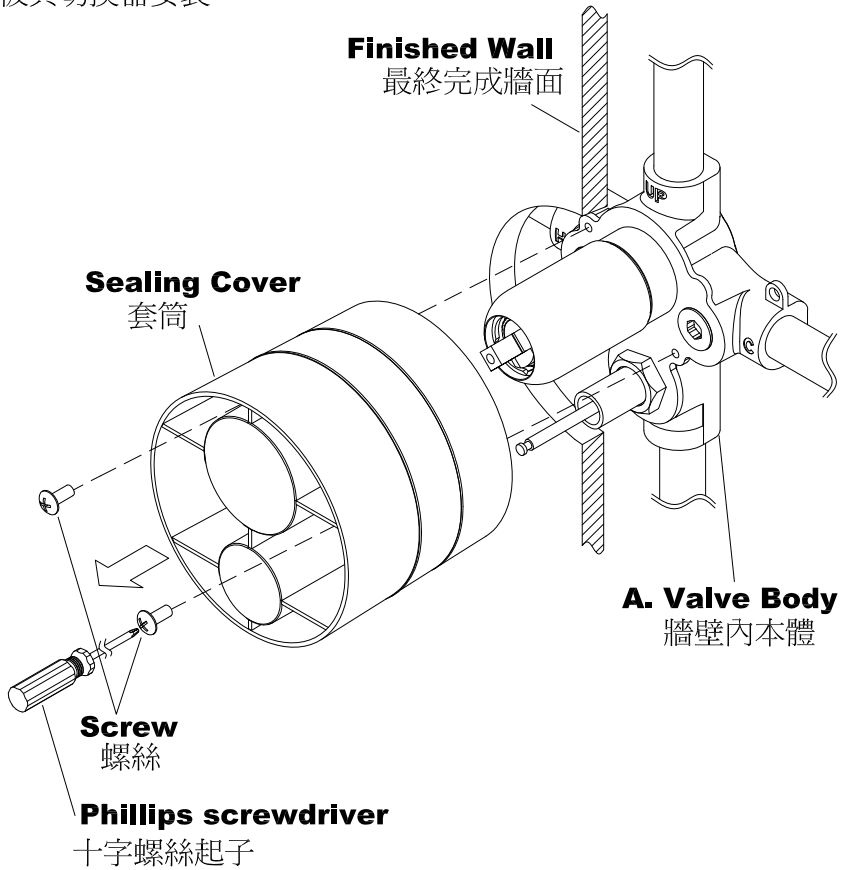




3

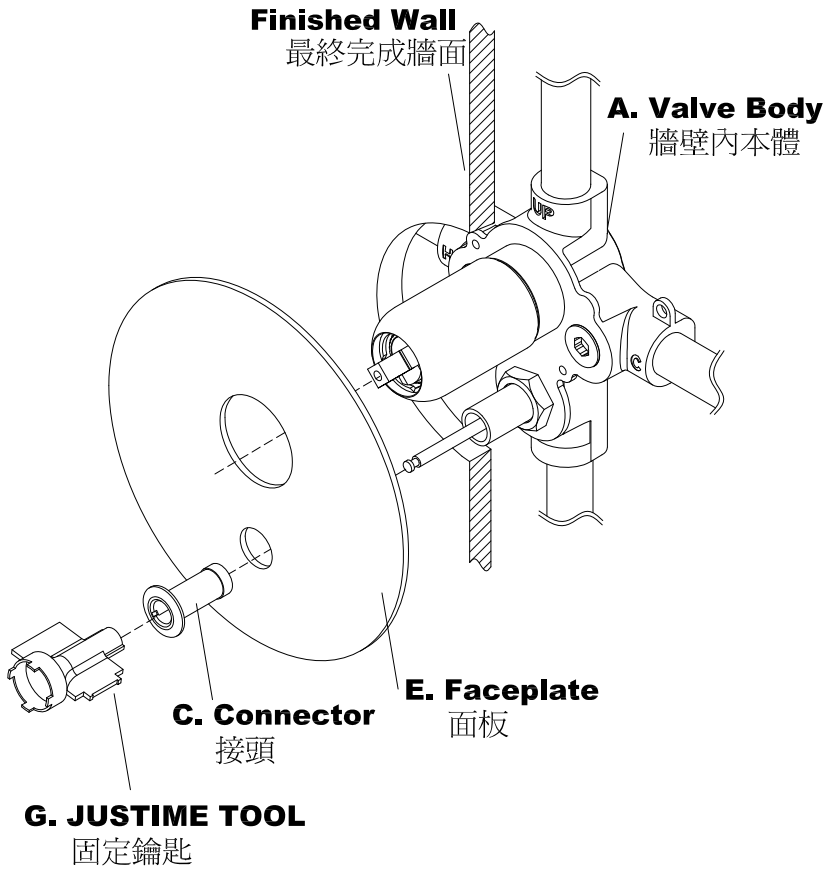
### Install Faceplate & Diverter

面板與切換器安裝



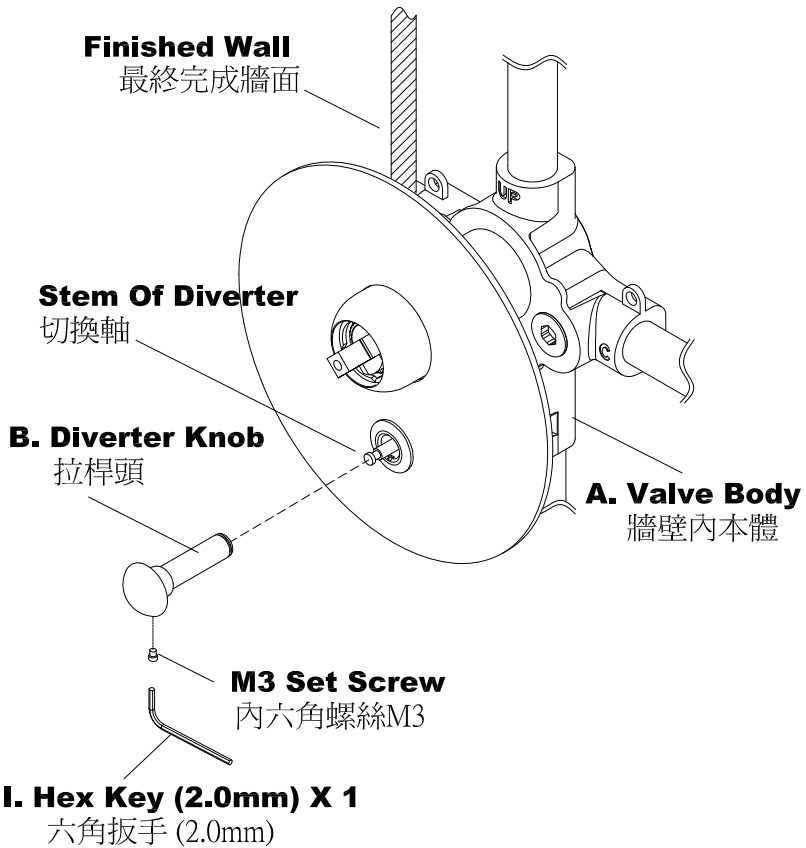
\* Loosen the **Screws** with **Phillips screwdriver** to disassemble the **Sealing Cover**.

使用十字起子取下固定螺絲\*2處，將保護蓋抽出。



\* Install the **Faceplate** flush with the wall, and tighten the **Connector** with **JUSTIME TOOL**.

安裝面板使其與牆壁完全貼合,使用固定鑰匙將接頭鎖入轉緊。



\*Fix the **Diverter Knob** with **M3 Set Screw** to the **Stem Of Diverter** by **Hex Key**.

將拉桿頭放入切換軸並使用六角扳手並將M3埋頭螺絲鎖上。

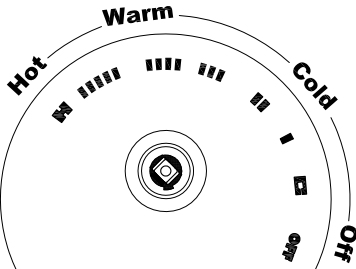
4

## Settle & Install Temperature Limiter

設定調整及安裝限溫環

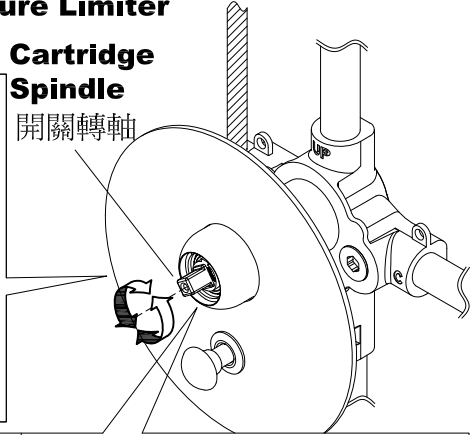
### Faceplate Instructions

面板標示說明

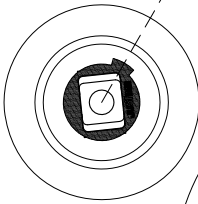


### Cartridge Spindle

開關轉軸

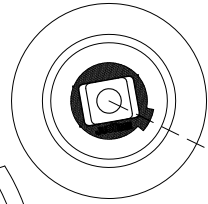


**Comfortable Temperature**  
最佳舒適溫度



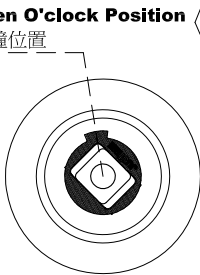
**Three To Twelve O'clock Position**  
3~12點鐘位置

**Full Cold Position**  
全冷水位置



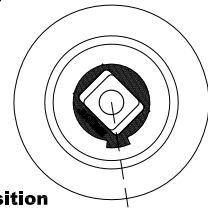
**Four O'clock Position**  
4點鐘位置

**Full Hot Position**  
全熱水位置



**Eleven O'clock Position**  
11點鐘位置

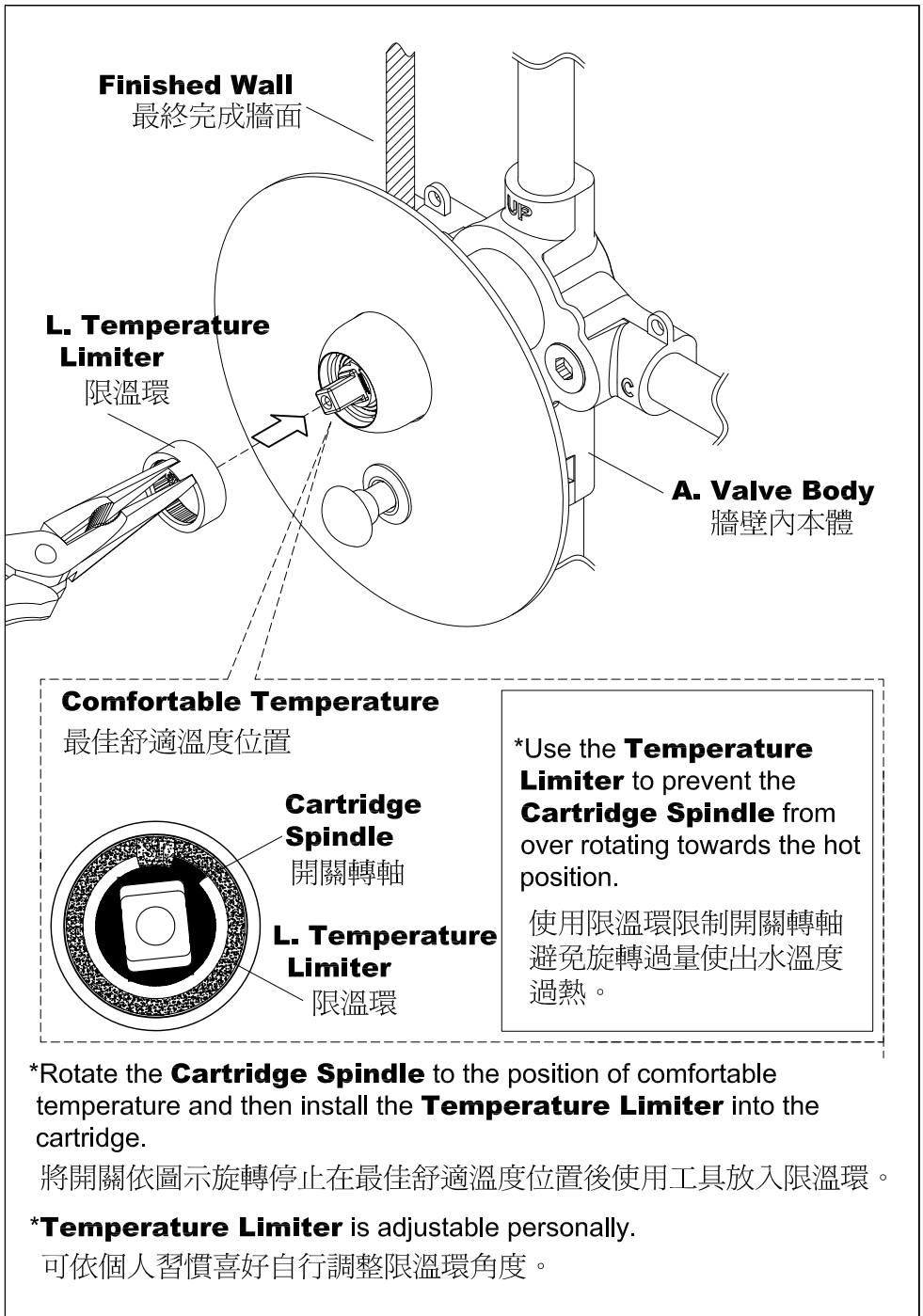
**Shut Off**  
關閉



**Five O'clock Position**  
5點鐘位置

\*Before install the **HANDLE**, please rotate the **Cartridge Spindle** to the position of comfortable temperature.

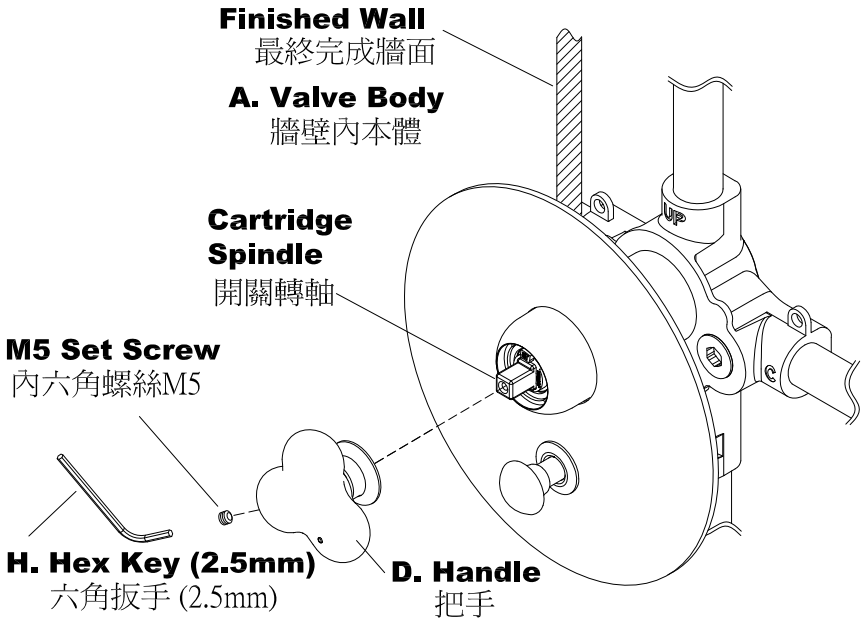
安裝把手前,先將開關轉軸依圖示旋轉停止在最佳舒適溫度位置。



5

## Install Handle

把手安裝

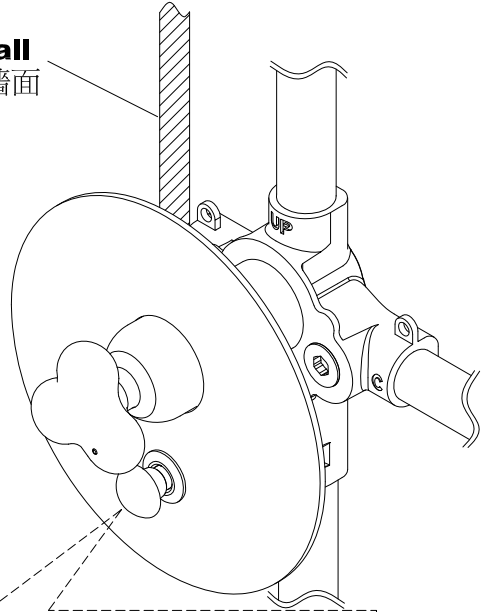


\*Fix the **Handle** with **M5 Set Screw** to the **Cartridge Spindle** by **Hex Key**.

使用六角扳手將把手固定於開關轉軸上。

6

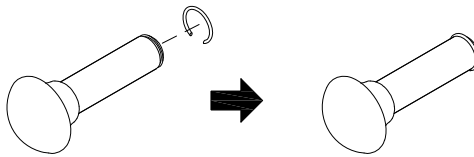
**Finished Wall**  
最終完成牆面



**Special Case**  
**Using the provided C-ring**  
**if the water pressure is under  $1\text{kgf/cm}^2$  (14.2PSI)**

特殊狀況&裝置

附贈C型環水壓低於 $1\text{kgf/cm}^2$ (14.2PSI)使用



\* If the Water Pressure is too low to function the diverter, please use the provided **C-ring** for manual control.

如遇到水壓過低,無法達到自動切換功能時,請裝置附件C型環改為手動控制上下出水。

## WARRANTY

Sheng Tai Co., Ltd. offer a three-year warranty on all of the Faucets & Bathroom Accessories from date of purchasing. The warranty covers any defect in material and workmanship during normal residential use. The following conditions of defect are charged for maintaining.

- Damage caused by accident, misuse, improper care and cleaning.
- Improper using or installation.
- Defects because of the external factors, such as erodent environment (ex. Seashore or mineral spring.), animal bites or dead body remains in product etc.
- Defect because of sand or impurity stuck in faucet water way.
- Using water not adhered to the regulations of national standard.
- Deficiency caused by freeze.
- Not showing this warranty card.
- Not filling out in the blank of name of customer, date of purchase, cost of purchase, company of installation (retail store) and stamp on warranty card.
- Sheng Tai Co., Ltd. is not responsible for labor charges, installation, or other incidental or consequential costs.

勝泰衛材股份有限公司提供所有的水龍頭及浴室配件，從購買之日起三年保固。保固範圍包括在一般住宅正常使用的期間，發現產品有任何材質和加工上的瑕疵。如瑕疵有下列情形，將收取維修費用。

- 因意外事故、不當操作使用，不當的保養維護或清洗所造成的損害。
- 不當使用或安裝。
- 外在因素造成產品的瑕疵，如易造成侵蝕的環境（如濱海或溫泉地區）、動物嚙咬或屍體存在於產品內造成的損壞。
- 因砂子或雜質卡住水龍頭水路造成的損壞。
- 沒有依循國家標準的規定使用水源造成的損壞。
- 因冰凍造成的水量不足。
- 未出示此保固卡。
- 未在空白處填寫客戶名稱，購買日期，購買成本，安裝公司（零售商店），及保證卡上未蓋章。
- 勝泰衛材股份有限公司不負責工人費用，安裝，或其他附帶或間接產生的費用。

Customer	Name		Tel	
	Address			
Product	Serial No.		Name	
	Warranty	Three year from date of purchase.		
Purchase place	Store		Tel	
	Address			
Purchase Date				
Purchase Price				

**JUSTIME**  
www.justime.com

**SHENG TAI BRASSWARE CO., LTD.**

No.99 Sec.3 Chang Tsao Rd. Ho Me, Chang Hua, Taiwan

508 台灣彰化縣和美鎮彰草路3段99號

TEL: +886-4-7629971~4

FAX: +886-4-7526980

E-mail: shengtai@ms10.hinet.net

Facebook: www.facebook.com/JUSTIME