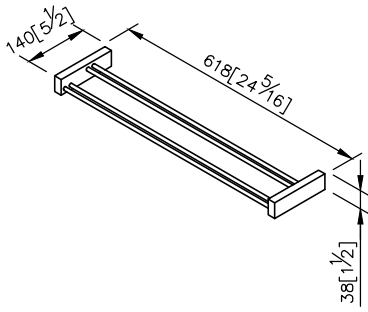


Double Towel Bar
6908-14-80CP



1. Brass mounting base and towel bar meet JIS 3604 standard.
2. Justime finishes resist corrosion and tarnish.
3. Chrome plated finish meets the standard of ASTM-SC2.
4. Vertical force could support a static load of 4 Kgf.
5. The size of towel bar: 600mm.
6. Double towel bars provide more convenience.
7. Coordinates with other products in 6908 collection.

unit: mm[inch]

