

Toilet Tissue Holder 6908-40-80CP

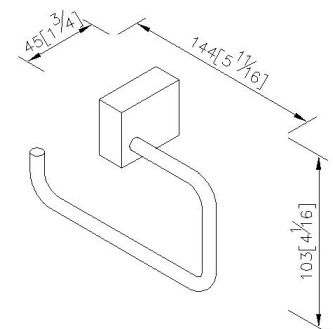
INTRODUCTION:

Elongated cuboids become the main design of body, symmetrical lines bring out the harmony of beauty and the simple visualization.



DESCRIPTION:

- 1.Brass mounting base and toilet tissue ring meet JIS 3604 standard.
- 2.Justime finishes resist corrosion and tarnish.
- 3.Chrome plated finish meets the standard of ASTM-SC2.
- 4.The pedestal could increase the stability for operation.
- 5.Vertical force could support a static load of 5 Kgf.
- 6.The square pedestal of the bathroom accessories could increase the elegance for the environment.
- 7.Coordinates with other products in 6908 collection.



unit:mm[inch]

Certificaion:

Fixing Kits:

- 1.SUS 304 Stainless Steel Screws*2
- Hex Key 2.5mm*1
Mounting Bracket*1
Plastic Anchors*2

AWARD: