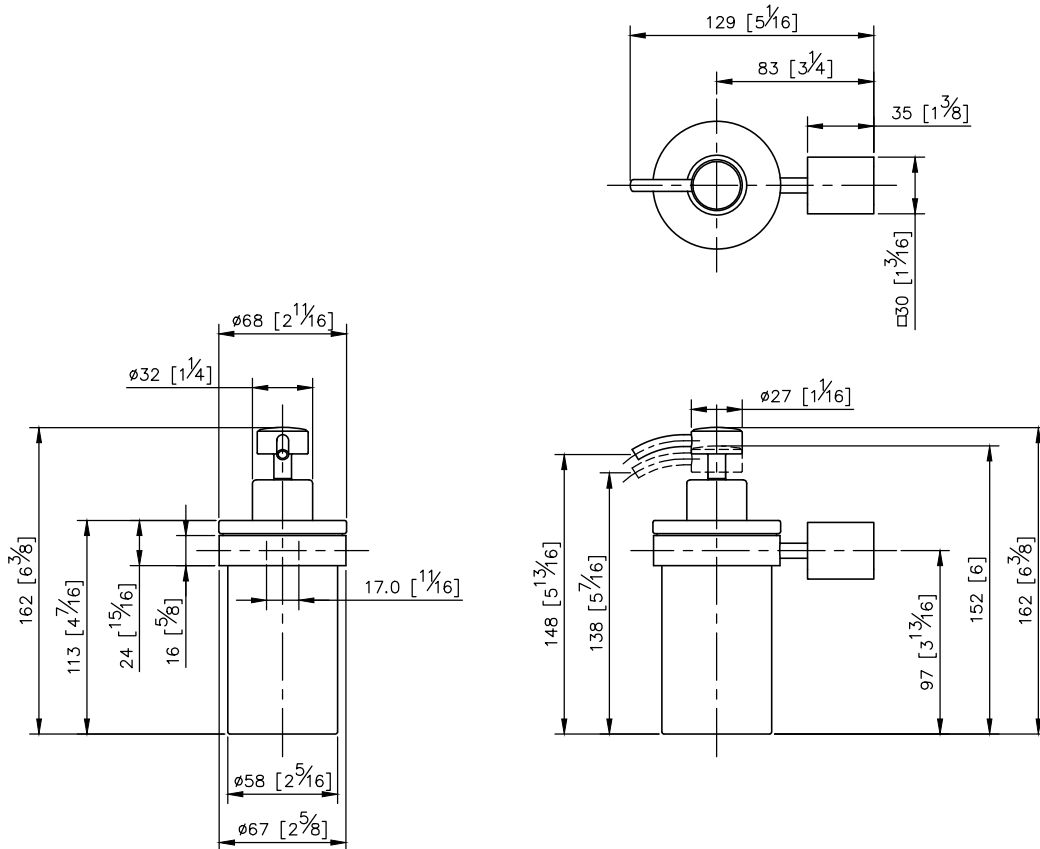


unit: mm[inch]

Soap Dispenser 6909-25-80CP

- 1.Brass mounting base meets JIS 3604 standard.
- 2.Brass forging ring meets JIS 3771 standard.
- 3.Justime finishes resist corrosion and tarnish.
- 4.Chrome plated finish meets the standard of ASTM-SC2.
- 5.Frosted glass soap dispenser increases visual softness. Capacity is 140ml.
- 6.Vertical force could support a static load of 2 Kgf.
- 7.Coordinates with other products in 6909 collection.



Mounting Template Specification

