

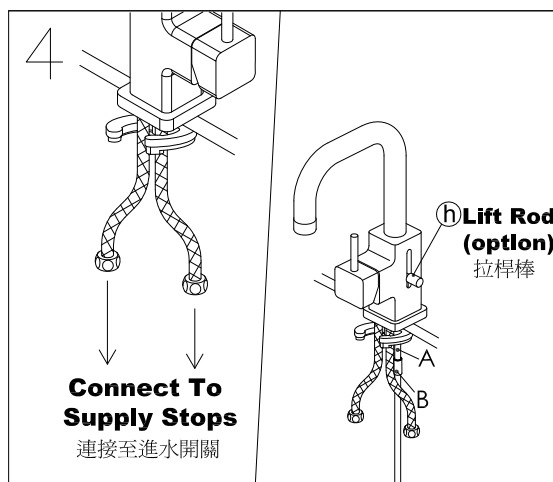
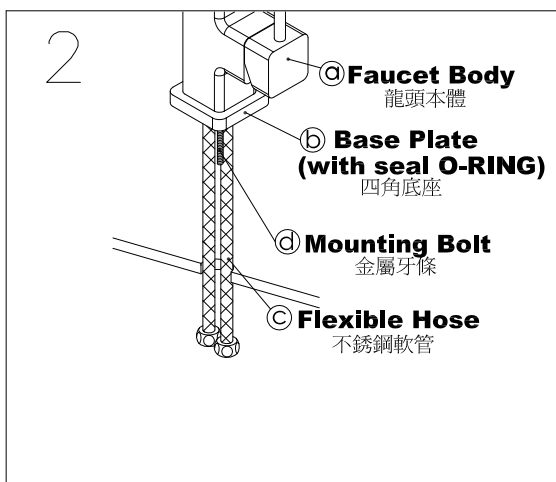
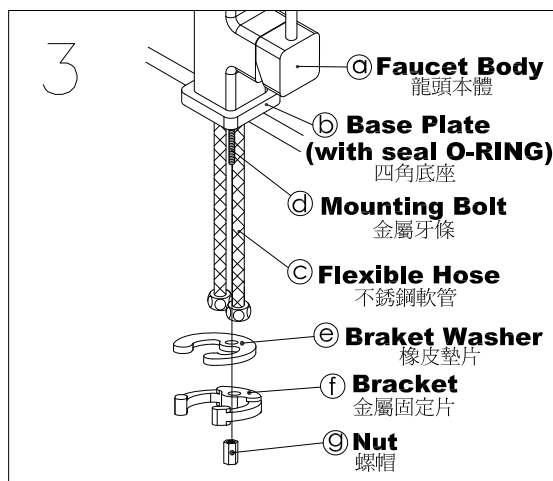
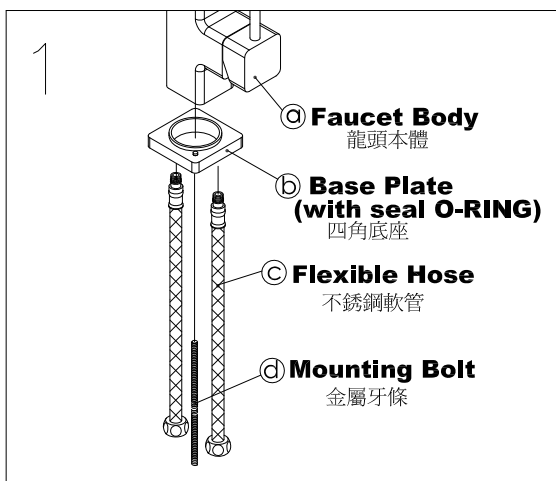
INSTALLATION GUIDE

COUNTERTOP KITCHEN FAUCET/ BASIN FAUCET

廚房抬面龍頭

／ 洗臉盆龍頭

安裝說明



1. Screw **Flexible Hoses** and **Mounting Bolt** into **Faucet Body** .
將冷熱進水不銹鋼軟管和金屬牙條鎖緊固定於龍頭本體。
2. Insert **Flexible Hoses** and **Mounting Bolt** through **Base Plate (with seal O-RING)** and basin hole in fixture.
再將冷熱進水不銹鋼軟管和金屬牙條穿過四角底座和洗臉盆(檯)洞口後, 準備安裝。
3. Place **Bracket (with Braket Washer)** and **Nut** onto **Mounting Bolt**, position faucet on fixture, then tighten **Nut** securely.
從金屬牙條下方依序套入橡皮墊片、金屬固定片、和螺帽, 確認龍頭方向位置後, 鎖緊螺帽固定龍頭即可。
4. Connect **Flexible Hoses** to supply stops.
連接冷熱進水不銹鋼軟管到進水開關, 確認完成安裝程序。
5. **Lift Rod** install on type 6909-91-81CP, 6909-91-81CJ only.
選擇性零件: 拉桿棒僅供安裝在 type 6909-91-81CP, 6909-91-81CJ 的產品上。

FIXING CONTENTS

組配件內容

