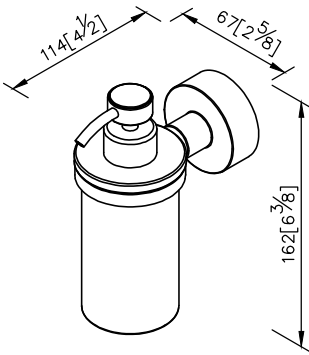
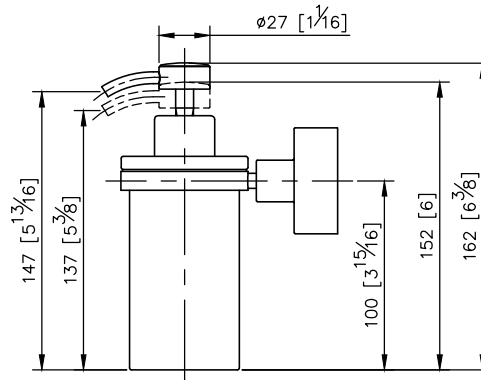
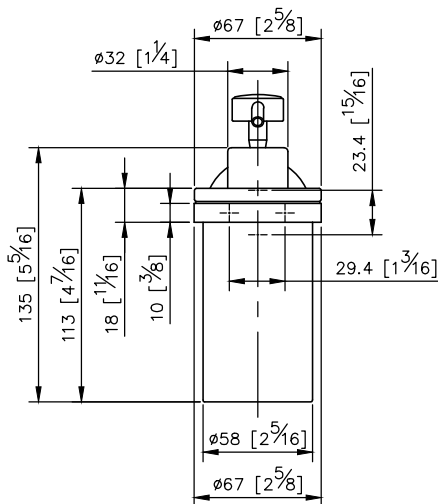
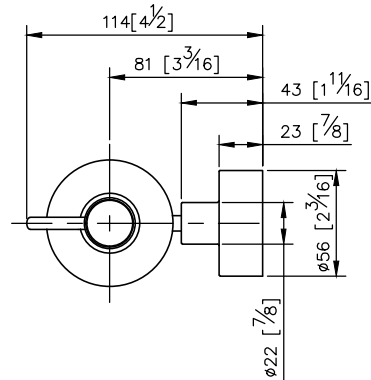


Soap Dispenser
6910-25-80CP

- 1.Brass forging mounting base and ring meet JIS 3771 standard.
- 2.Premium metal construction for durability.
- 3.Justime finishes resist corrosion and tarnish.
- 4.Chrome plated finish meets the standard of ASTM-SC2.
- 5.Frosted glass soap dispenser increases visual softness.
- 6.After well installed holder can load up to 2 kgf.
- 7.Capacity is 180ml.
- 8.Coordinates with other products in 6910 collection.



unit: mm[inch]



Mounting Template Specification

