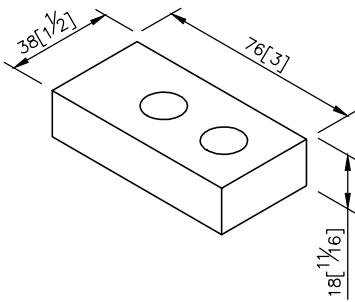


Tooth Brush Holder
6918-35-80CP



- 1.Brass tooth brush holder meets JIS 3604 standard.
- 2.Justime finishes resist corrosion and tarnish.
- 3.Chrome plated finish meets the standard of ASTM-SC2.
- 4.Vertical force could support a static load of 2 Kgf.
- 5.Coordinates with other products in 6918 collection.

unit: mm[inch]

