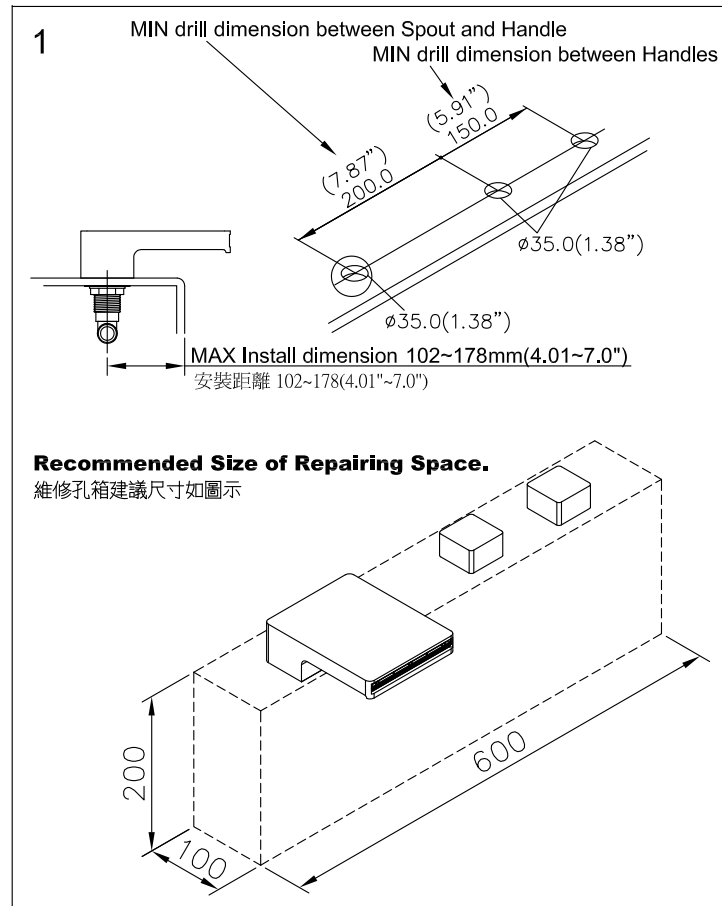
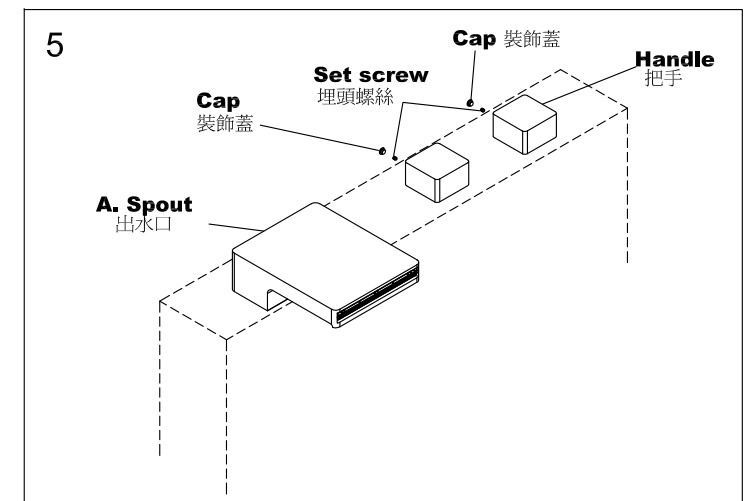
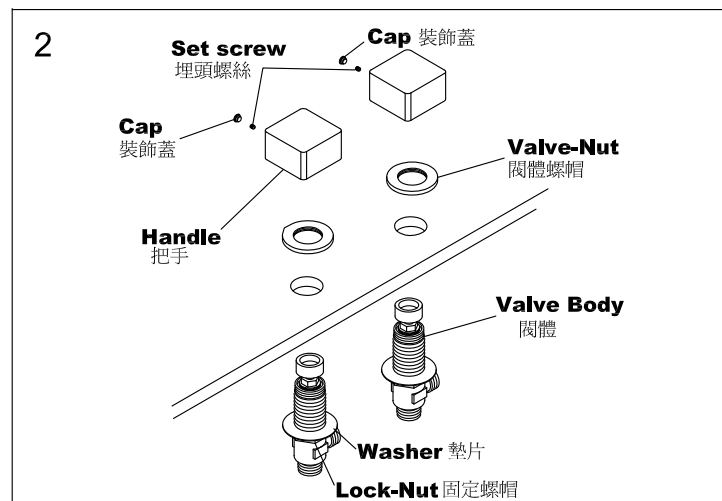
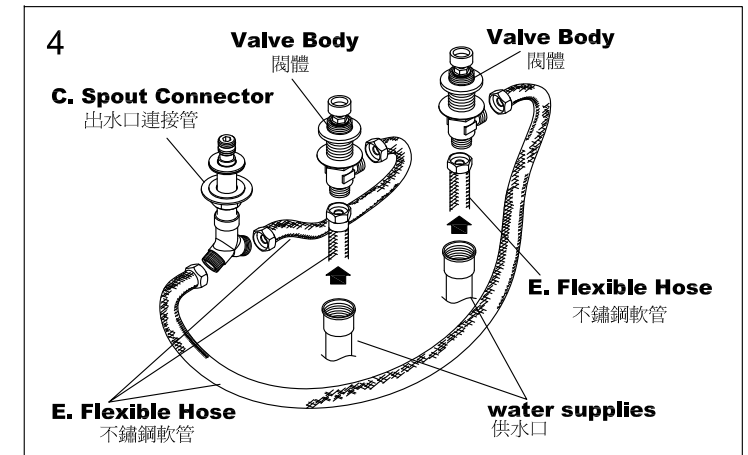
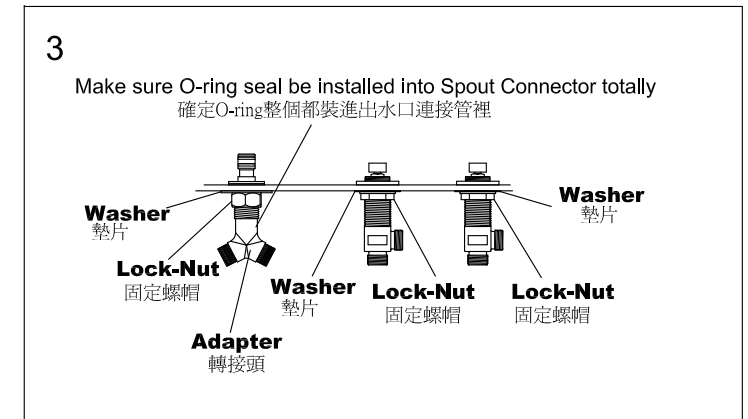


# INSTALLATION INSTRUCTIONS

## Two Handle Bathtub Faucet 浴缸龍頭安裝說明



1. Drill 3 holes at the appropriate positions as Fig. 1 shows.  
如圖所示，在適當的位置鑽3個孔。
2. Disassemble the **Handle** and **Valve-Nut** from **Valve Body** before installation.  
安裝前將把手與閥體螺帽從把手閥體拆下。
3. Fix the **Spout Connector** and **Valve Body** as the Fig. 3 shows, and then connect **Adapter** to the bottom of **Spout Connector**.  
依圖示將出水口連接器與把手閥體固定於浴缸上，然後將轉接頭接到出水口連接器下方。
4. Connect **Valve Bodies** and **Adapter** with **Flexible Hoses** as Fig. 4 shows.  
如圖示用不鏽鋼軟管連接閥體與軟管連接器以及供水口。
5. Mind the directions of **Spout** and **Handles** before installation. Fix the **Spout** and **Handles** with **Set Screws**, and then cover with **Caps** as Fig. 5 shows.  
依圖示組合出水口與把手，並鎖緊固定螺絲，完全固定之前，請先確認出水口與把手方向。最後再蓋上飾蓋。



### FIXING CONTENTS

組配件內容

