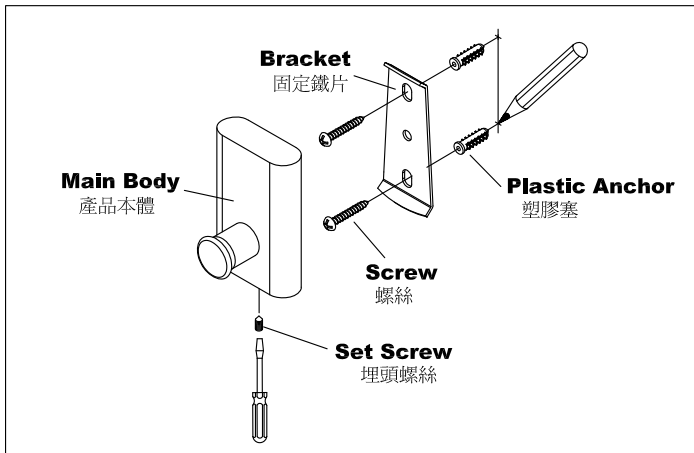


MOUNTING INSTRUCTIONS

6920安裝說明

1. Use **Bracket** as template to locate appropriate drilling centers with pencil.
使用固定鐵片和鉛筆在預定鑽孔的位置,畫上記號.
2. Use 6mm drilling bit to drill holes in your marked locations, when mounting on drywall, insert **Plastic Anchors**.
當安裝在水泥牆,使用1/4英寸鑽頭,鑽孔深度4公分,填入塑膠塞並使之齊平於牆面.
3. Attach **Bracket** to wall with **Wall Screws**.
將固定鐵片以螺絲鎖在牆面上.
4. Locate the **Main Part** on the **Bracket** and secure with **Set Screw**.
在固定鐵片上面掛住產品本體,並以螺絲起子由下方鎖緊埋頭螺絲,完成安裝程序.

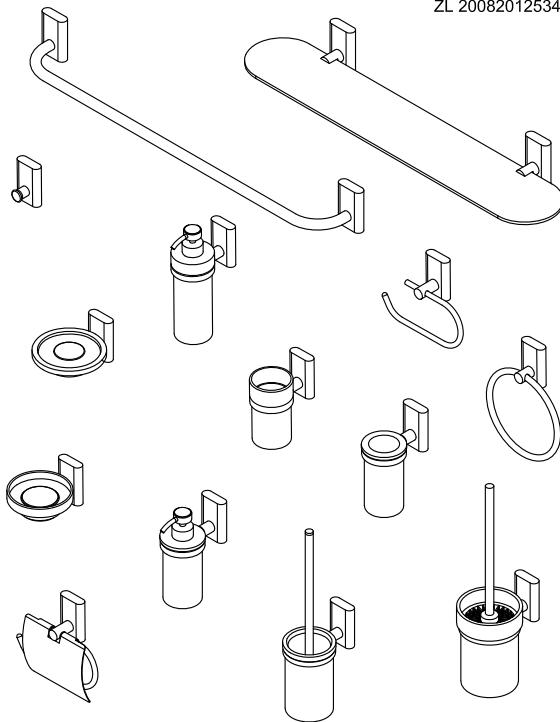


6920
SERIES:

PATENT NUMBER:

專利號碼:

000861745-0005
0000962618-0001
M344074
D125278
ZL 200820125346.4



JUSTIME | 巧時代 | ST SHENG TAI BRASSWARE CO., LTD.

www.justime.com

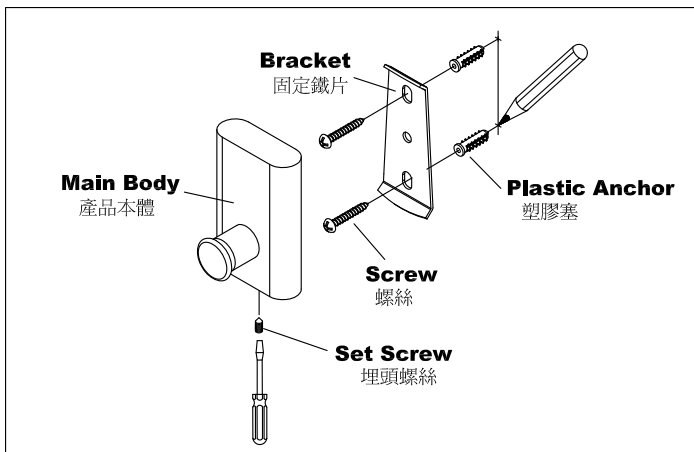
003 | 030709

PU69-20-ST00
MADE IN TAIWAN

MOUNTING INSTRUCTIONS

6920安裝說明

1. Use **Bracket** as template to locate appropriate drilling centers with pencil.
使用固定鐵片和鉛筆在預定鑽孔的位置,畫上記號.
2. Use 6mm drilling bit to drill holes in your marked locations, when mounting on drywall, insert **Plastic Anchors**.
當安裝在水泥牆,使用1/4英寸鑽頭,鑽孔深度4公分,填入塑膠塞並使之齊平於牆面.
3. Attach **Bracket** to wall with **Wall Screws**.
將固定鐵片以螺絲鎖在牆面上.
4. Locate the **Main Part** on the **Bracket** and secure with **Set Screw**.
在固定鐵片上面掛住產品本體,並以螺絲起子由下方鎖緊埋頭螺絲,完成安裝程序.

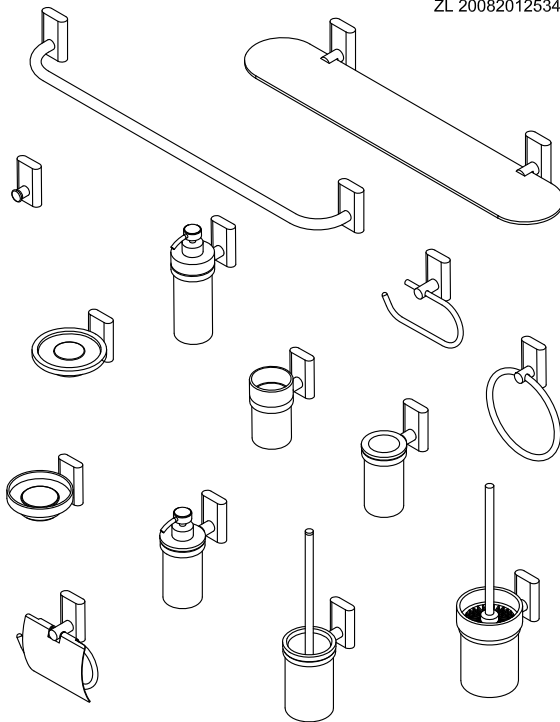


6920
SERIES:

PATENT NUMBER:

專利號碼:

000861745-0005
0000962618-0001
M344074
D125278
ZL 200820125346.4



JUSTIME | 巧時代 | ST SHENG TAI BRASSWARE CO., LTD.

www.justime.com

003 | 030709

PU69-20-ST00
MADE IN TAIWAN