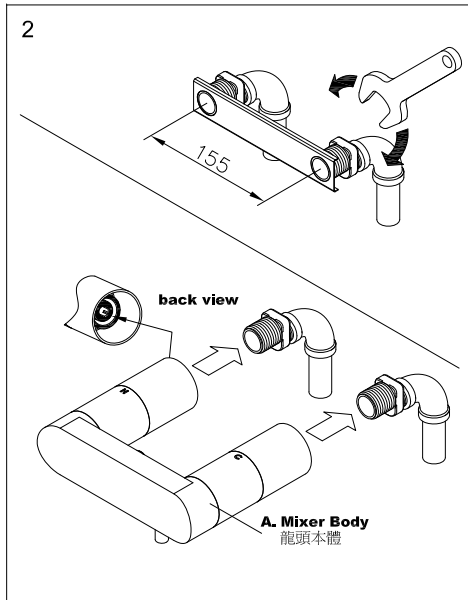
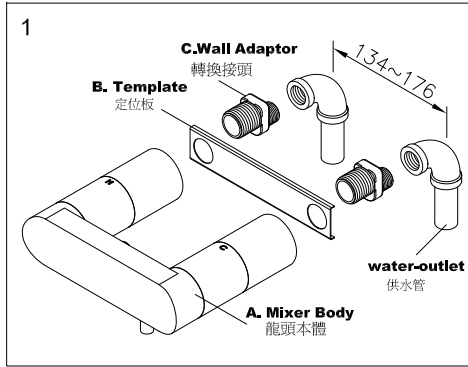


INSTALLATION INSTRUCTIONS

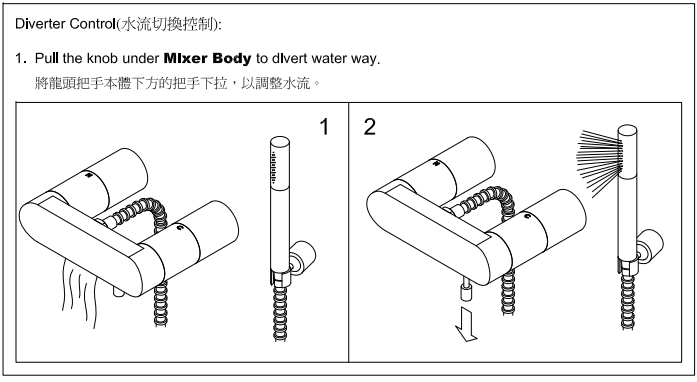
Bath / Shower Mixer 淋浴龍頭安裝說明

PATENT NUMBER:
專利號碼:
001116652-0001



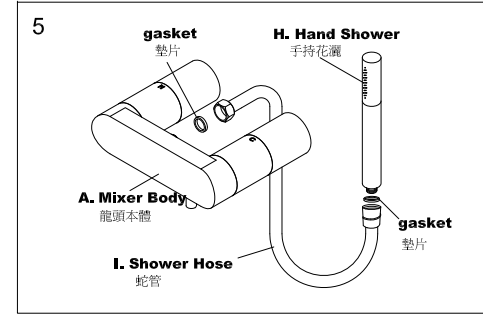
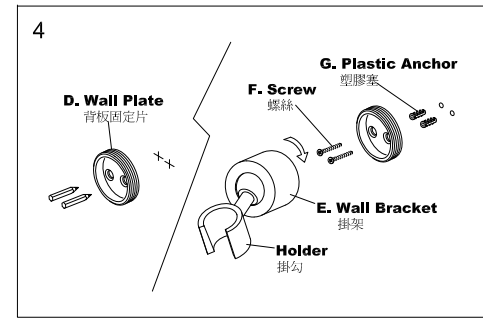
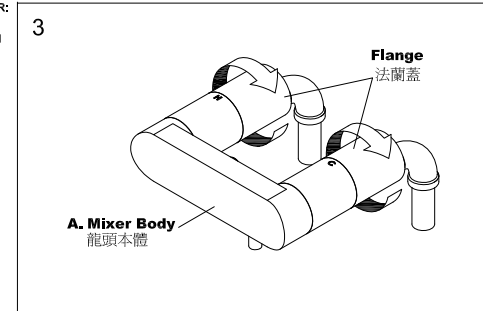
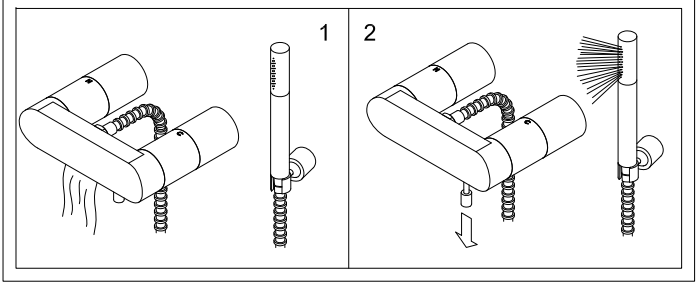
CAUTION : Risk Of Product Damage.
注意：為增加產品使用壽命，請依說明清潔供水管路。
When finished installation, turn the valve on and run for 1 minute before using.
完成安裝後，需在使用前先把供水開關全開排水持續一分鐘。

- The available distance between two centers of wall water-outlet can be 134~176mm as Fig.1 shown.
凡牆壁上冷熱出水孔中心距離在134~176mm者，皆可適合安裝本產品，如 Fig.1 所示。
- Apply pipe compound or thread sealant tape to the thread of **Wall Adaptors** 1/2" end, and screw it into wall water-outlet, meanwhile, using the **Template** provided to adjust the distance between two **Wall Adaptors** 1 1/8" end to exactly 155mm for **Mixer Body** connection as Fig.2 shown.
將轉換接頭1/2"牙塗上管牙膠或包覆止洩帶，再鎖入牆壁出水口，調整轉換接頭，並且使用定位板調整使1 1/8"端的中心距離定為155mm無誤，以便安裝龍頭本體如Fig.2 所示。
- Tighten **Flanges** securely by hand to connect **Mixer Body** to **Wall Adaptors**.
將龍頭本體後端的法蘭蓋各別對準轉換接頭的1 1/8"端，然後用手順時針轉動法蘭蓋，直至法蘭蓋緊貼到牆為止，如Fig.3 所示。
- Using **Wall Plate** as a template, mark and drill at proper position then Install **Wall Plate** on the wall. Screw **Wall Bracket** onto **Wall Plate** and tighten it. Rotate the **Holder** to correct position as the Fig.4 shown.
先決定花灑掛架安裝之位置，利用背板固定片上兩孔用鉛筆畫兩個基準點，再使用6mm鑽頭於牆上記號鑽孔。將掛架背板固定於牆上之後，將掛架順時針鎖入背板至鎖緊。將掛勾轉至正確位置如 Fig.4 所示。
- Connect **Shower Hose** with gasket to **Mixer Body** and **Hand Shower** as Fig.5 shown.
將墊片裝入蛇管六角螺帽固定在龍頭本體底部的牙端上，然後將另一片墊片裝入另一端鎖緊在手持花灑如 Fig.5 所示。



Diverter Control(水流切換控制):

- Pull the knob under **Mixer Body** to divert water way.
將龍頭把手本體下方的把手下拉，以調整水流。



FIXING CONTENTS

組配件內容

A. Mixer Body × 1 龍頭本體 	B. Template × 1 定位板 	C. Adaptor × 2 轉換接頭 	E. Wall Bracket × 1 掛架 	F. Screw × 2 螺絲 	H. Hand shower × 1 手持花灑 	I. Shower Hose × 1 蛇管
		D. Wall Plate × 1 背板固定片 		G. Plastic Anchor × 2 塑膠塞 		