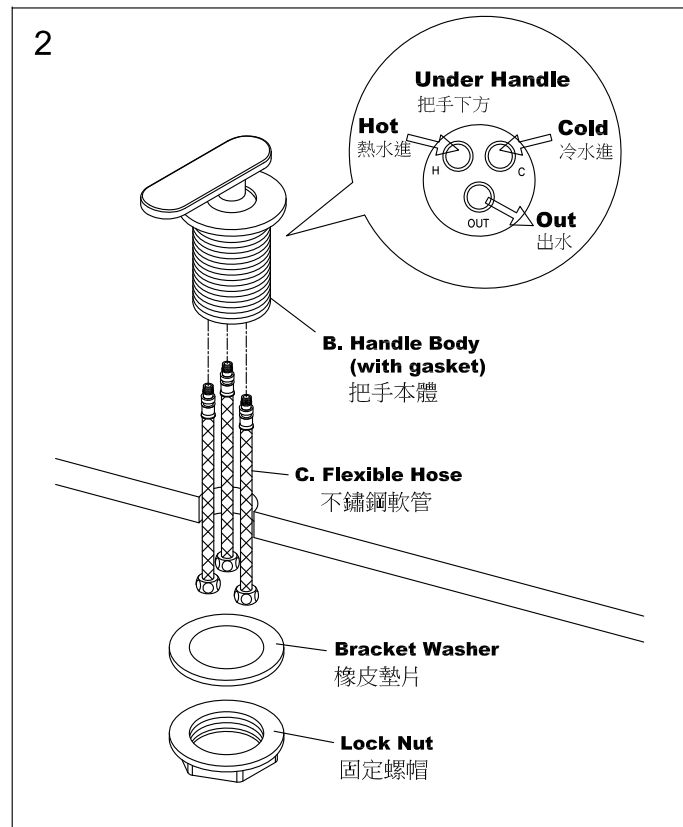
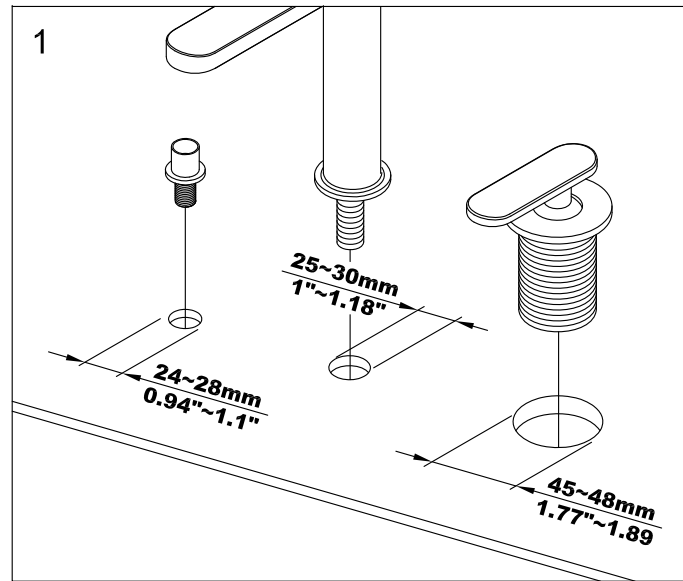
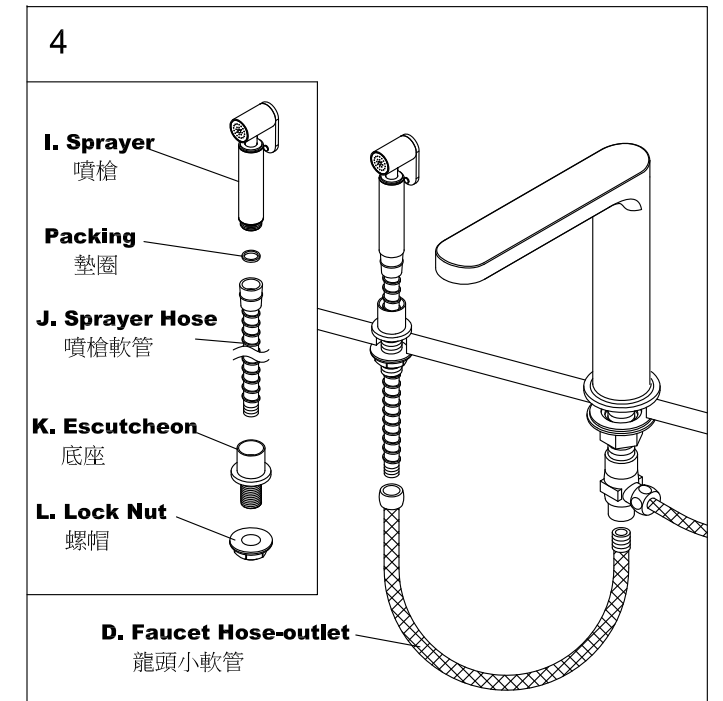
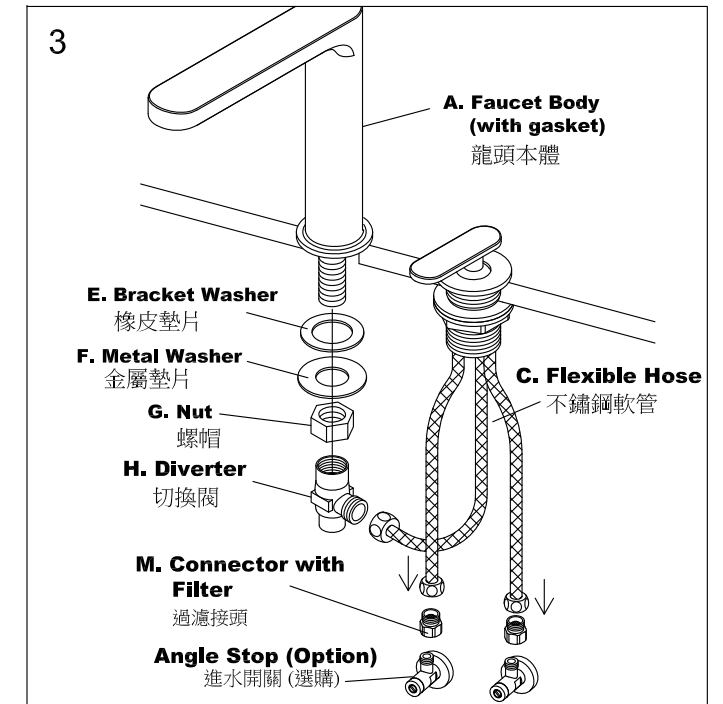


# INSTALLATION INSTRUCTIONS

## SINGLE-HANDLE KITCHEN FAUCET W/SPRAYER 廚房龍頭(附噴槍)安裝說明

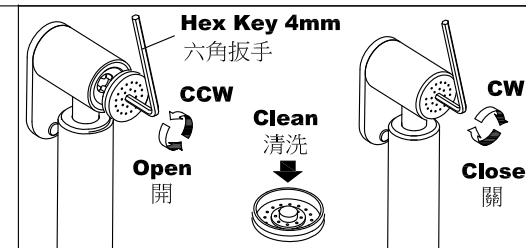


1. Drill 3 holes on appropriate position. (Fig. 1)  
在適當的位置鑽3個孔。(圖.1)
2. Insert the **Flexible Hoses** through deck hole and screw them into the bottom of **Handle Body** as figure 2 shows. Position **Handle Body** on fixture, place **Lock Nut** with **Bracket Washer** onto **Handle Body**, and then tighten **Lock Nut** securely. (Fig. 2)  
將不鏽鋼軟管(X3)穿過洗臉盆(檯)洞口並且依圖示鎖入把手本體，從把手本體下方依序套入橡皮墊片和固定螺帽，確認把手方向位置後，鎖緊螺帽固定把手即可。(圖.2)
3. Position **Faucet Body** on the deck for fixture, place **Metal Washer** with **Bracket Washer** onto **Faucet Body**, tighten the **Nut** securely to fix the faucet, and then screw **Diverter** to the bottom of **Faucet Body**. (Fig. 3)  
從龍頭本體下方依序套入橡皮墊片、金屬固定片和螺帽，確認龍頭方向位置後，鎖緊螺帽固定龍頭，再將切換閥鎖緊固定於龍頭本體即可。(圖.3)
4. Connect **Flexible Hose (Out)** to the Diverter. Install **Connectors with Filters** onto the outlets of **Angle Stops (option)** first, and then connect the Hot & Cold **Flexible Hoses** to the **Connectors with Filters**. (Fig. 3)  
將把手本體下方(OUT)的不鏽鋼軟管連接於切換閥。連接過濾接頭到進水開關，連接冷熱進水不鏽鋼軟管到過濾接頭。(圖.3)
5. Remove the **Lock Nut** from **Sprayer Escutcheon**, insert **Escutcheon** into the deck hole, and then tighten the **Lock Nut** to secure **Escutcheon**. (Fig. 4)  
將噴槍底座上的螺帽鬆開，然後將噴槍底座穿過檯面洞口，鎖緊螺帽固定噴槍底座。(圖.4)
6. Connect **Sprayer** with **Sprayer Hose**, insert **Sprayer Hose** through **Escutcheon**, and then connect and tighten **Faucet Hose-outlet** to the **Sprayer Hose** and **Diverter**. (Fig. 4)  
組合噴槍與噴槍軟管，將噴槍軟管穿過噴槍底座，用龍頭小軟管連接噴槍軟管與切換閥。(圖.4)



### MAINTAINING 維護方式

1. To clean the plastic meshes cover, please using 4mm **Hex Key** to remove the plastic meshes cover only as attached figure shown.  
清潔噴灑頭塑膠蓋，如圖指示，使用 4mm六角扳手開啟或裝置噴灑頭塑膠蓋。



### CAUTION 注意事項

1. Do not remove inner metal seal. Reassembly the inner metal seal parts may cause the sprayer to lose function or damage the sprayer.  
請勿取出內部金屬止水零件。重新組裝內部金屬止水零件，可能導致噴槍功能失效或嚴重損壞噴槍。
2. Do not overtighten the plastic meshes cover when reassembly, or may damage the hex hole of plastic meshes cover.  
重新裝置噴灑頭塑膠蓋時，請勿過度鎖緊，損壞塑膠六角內孔。

### FIXING CONTENTS

組配件內容

